



# FLAMEPROOF THREE PHASE INDUCTION MOTORS

**TEBY Low Voltage Flameproof Series**  
**TEXJ High Voltage Flameproof Series**





## **|** *TECO Group*

TECO, a famous globalize enterprise group, share the forefront in global industrial motor of the world; and it has successfully diversified into a highly competitive development conglomerate with worldwide business operations including heavy electrical, home appliance, electronics, IT system, telecommunications equipments, financial investment from the motor giant enterprises. TECO Group currently has nearly hundred oversea affiliates and subsidiaries, and the total global employee amount is over tens of thousands. It has a wide range technology cooperation with many world famous enterprise, such as GE, Japan Yaskawa, the U.S. Westinghouse, Siemens of Germany, Japan, Hitachi, Mitsubishi and so on. Its business territory has been extended to Asia, America, Europe, Australia, and has become a well-known international World Group brand.

## **|** *About TECO*

TECO Singapore provides a total solution of motors and drives ever since it was established in 1972. TECO Westinghouse Motor Company comprises the experience of Westinghouse, a leader in the motor industry since 1888 and TECO, a multinational conglomerate with over 50 years of motor experience. TECO Singapore itself was established in 1972 and has also set-up subsidiaries in Thailand, Malaysia, Indonesia, Vietnam and India. By realizing the potential for precision products, especially in electronic and electrical equipment, TECO embarked a foothold in Singapore and becomes a hub for manufacturing and distribution of Electric Motors for the entire South-East Asia since 1972. TECO Singapore has established overseas manufacturing facilities and offices in Thailand, Malaysia, Indonesia, Vietnam and India. Today, TECO is the one of the top 5 motor manufacturers in the world. Our motors are widely deployed in the industrial sectors and government projects including Singapore Mass Rapid Transit (SMRT), Land Transport Authority (LTA), Public Utilities Board (PUB), Housing Development Board (HDB) and Jurong Town Council (JTC) and Changi Airport.

## IECEX / ATEX Motors

Explosion proof motor is mainly used in coal mine, petroleum, petrochemical and chemical industry. It is also widely used in other industry such as textile metallurgy, city gas, transportation, grain & oil processing, paper making etc.

These series of motors are capable of withstanding pressure during an internal explosion so that such an explosion does not vent into the external atmosphere which could also be explosive. They are designed to prevent the occurrence of sparks, arcs, or hot spots in service, which avoids any further risk of explosion.

## Explosion Protection System

### What is IECEX ?

International certification scheme for hazardous locations equipment and personnel

### What is ATEX ?

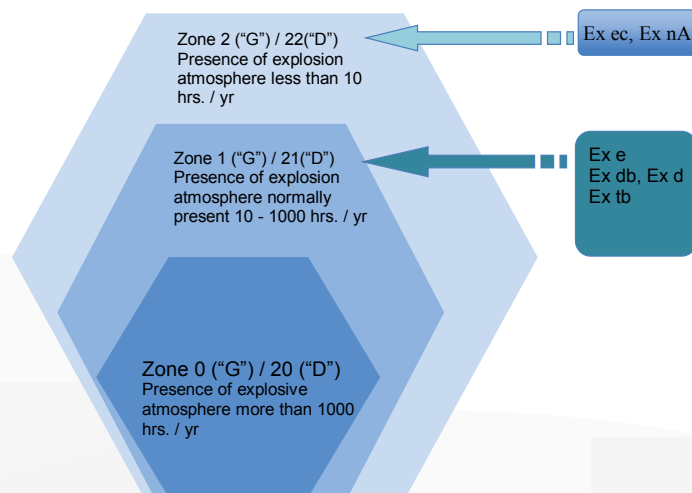
Directive of the European Parliament and the Council on the approximation of the laws of the Member States concerning equipment and protective systems intended for use in potentially explosive atmospheres (ATEX)

## Protection Concept

Type of Protection	Symbol	EPL	ATEX Category	Permitted Zone	Standard
Increased Safety	eb	Gb	2G	1	60079-7
	ec	Gc	3G	2	
Non-sparking	nA	Gc	3G	2	60079-15
Flameproof	db	Gb	2G	1	60079-1
	dc	Gc	3G	2	
Pressurized	pxb	Gb/Db	2G/2D	1	60079-2
	pyb	Gb/Db	2G/2D	1	
	pzc	Gc/Db	3G/3G	2	
Enclosure	ta	Da	1D	20	60079-31
	tb	Db	2D	21	
	tc	Dc	3D	22	

## Surrounding Atmospheres

IECEX classify explosive atmospheres by zone system, Gas "G" & Dust "D"



# Material Group

## Gas & Vapours

	Group II	Class I
Typical Gas	Equipment Group (IECEx & ATEX)	Equipment Group (North America) (Class Division System)
Propane	IIA	Group D
Ethylene	IIB	Group C
Hydrogen	II(H2)	Group B
Acetylene	IIC	Group A

## Dust

	Group III	Class II
Description	Equipment Group (IECEx & ATEX)	Equipment Group (North America) (Class Division System)
Combustible Flyings	IIIA	Not applied
Non-Conductive Dusts (coal dusts, grain dusts)	IIIB	Group F - Coal dust Group G - Grain dust
Conductive Dusts (metal dusts)	IIIC	Group E (Div. 1 only)

# Temperature Class

Classification of maximum surface temperature for an equipment surface allowed to reach in service to avoid ignition

Temperature Class	Maximum Surface Temperature (deg C)
T1	450
T2	300
T3	200
T4	135
T5	100
T6	85

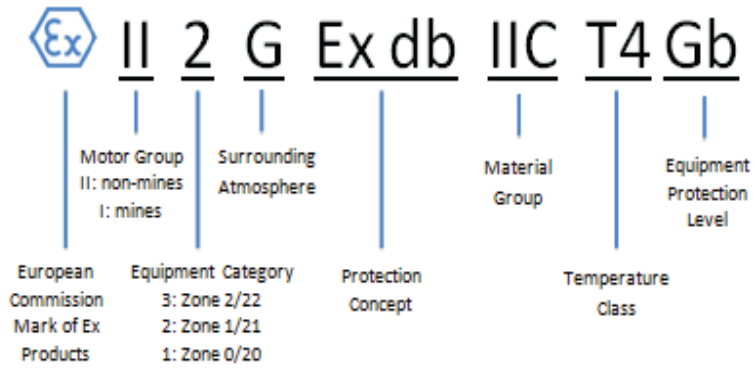
# Equipment Protection Level (EPL)

Level of protection assigned to equipment based on its likelihood of becoming a source of ignition

EPL	Group	Material	Zone	Level Provided
Ma	I	Firedamp	Zone 0 Mines	Very high
Mb	I	Firedamp	Zone 1 Mines	High
Ga	II	Gas	Zone 0	Very high
Gb	II	Gas	Zone 1	High
Gc	II	Gas	Zone 2	Enhanced
Da	III	Dust	Zone 20	Very High
Db	III	Dust	Zone 21	High
Dc	III	Dust/Flyings	Zone 22	Enhanced

- Equipment with a “very high” level of protection, which is not a source of ignition in normal operations, during expected or rare malfunctions
- Equipment with a “high” level of protection, which is not a source of ignition in normal operations, during expected malfunctions
- Equipment with an “enhanced” level of protection, which is not a source of ignition in normal operations

# IECEX / ATEX Explosion Marking



# Nameplate

<b>Ex</b>	<b>TECO</b> FLAMEPROOF 3-PHASE INDUCTION MOTOR				<b>CE</b>	
	MODEL			TYPE		
	POLES			FRAME		
	OUTPUT	hp	kw	cos φ		EFF %
	Hz			RATING		INS.
	VOLTS	V	S. F.	DATE		20
	AMP S	A	IP	EFF Grade		
	r/min			AMB.		°C
	WEIGHT	kg		SER. NO.		
	BEARINGS					
Ⓢ II 2 G Ex db xxxxx Gb n. EMC 18 ATEX-B UNxxx EN 60079-1:2014 IECEx CQMxxx, xxxxx IEC 60079-1:2014 <b>WUXI TECO Elec. &amp; Mach. Co., Ltd.</b>						

<b>TECO</b>				
BEARING LUBRICATED AT FACTORY RE-LUBRICATE AS PER BELOW				
FRAME NO.	BEARING TYPE	VOLUME	INTERVAL	GREASE
F#160~200	6309~6312	30g	2000 HOURS	SHELL ALVANIA RL3
F#225~315	6313~6319	50g		
≥F#355	6320~6328	80g		

3W045D334

# International Mounting Code (IM)

Foot-Mounted					
IM B3 (IM 1001)	IM V5 (IM 1011)	IM V6 (IM 1031)	IM B6 (IM 1051)	IM B7 (IM 1061)	IM B8 (IM 1071)
Flange-Mounted			Foot & Flange Mounted		
IM B5 (IM 3001)	IM V1 (IM 3011)	IM V3 (IM 3031)	IM B35 (IM 2001)	IM V15 (IM 2011)	IM V36 (IM 2031)

# TEBY

## Low Voltage Flameproof Series

### Electrical Design

Type: Squirrel Cage Induction Motor  
Ratings: 0.18 kW ~ 355 kW

### Duty Rating

Continuous duty rating of S1 under rated load

### Voltages

200V,220V,230V,240V,380V,400V,415V,440V, Up to 690V

### Frequency

50Hz

### Insulation System

All motor are design with Class F insulation and Class B Temperature Rise

### Ambient Temperature

-20°C ~ + 50°C

### Type of Protection

Ex db IIB T4 Gb,  
Ex db IIC T4 Gb

### Efficiency

IE3 Premium Efficiency except 0.55kW(include) and below

### Standards

IEC 60079-0 : 2011 Explosive atmospheres – Part 0: General requirements

IEC 60079-1 : 2014-06 Explosive atmospheres – Part 1: Equipment protection by Flameproof enclosures “d”

IEC 60034-1 Rotating electrical machines - Part 1: Rating and performance.

IEC 60034-2-1 Rotating electrical machines - Part 2-1: Standard methods for determining losses and efficiency from tests

IEC 60034-5 Rotating electrical machines - Part 5: Degrees of protection provided by the integral design of rotating electrical machines (IP code) - classification.

IEC 60034-6 Rotating electrical machines - Part 6: Methods of cooling (IC code).

IEC 60034-7 Rotating electrical machines - Part 7: Classification of types of enclosures and mounting arrangements (IM code).

IEC 60034-8 Rotating electrical machines - Part 8: Terminal markings and direction of rotation.

IEC 60034-9 Rotating electrical machines - Part 9: Noise limits.

IEC 60034-12 Rotating electrical machines - Part 12: Starting performance of single-speed three-phase cage induction motors.

IEC 60034-14 Rotating electrical machines - Part 14: Mechanical vibration of certain machines - Limits of vibration.

### Mechanical Design

Type: Squirrel Cage Induction Motor  
Frame: 80M to 355L  
Enclosure: Totally Enclosed Fan Cooled (TEFC)

### Ingress Protection

Designed to meet Ingress Protection of IP55

### Drive Method

Designed for both Direct Coupling and Belt Drive use  
However, Direct Coupling for 2Pole 45kW & Above

### Bearings

High Quality Deep Groove Ball Sealed Bearings are use for frame size 80M to 160L and Vacuum De-Gassed High Quality Deep Groove Ball Open Bearings are use for frame size 180M to 355L

### Lubrication

Both our sealed and open type bearing are grease lubricated

### Construction

Frame: High Grade Cast Iron  
End Bracket: High Grade Cast Iron  
External Fan: Conductive Polypropylene (Non-Sparking Material)  
Fan Cover: SPCC  
Shaft: Carbon Steel  
Lead: Max. 6 Leads  
Iron Core: High Grade, Insulated, Cold Rolled Electro-Magnetic Steel Plate

### Terminal Box

Cast Iron , Flameproof Construction, Over Size

### Finishing

Complete with Phenolic Rust Proof Base Plus Lacquer Surface Finished Painting : Purple-Blue Munsell 5PB 3/8 Any other colour finishing, please refer to TECO

### Standards

IEC 60072-1 Dimensions and output series for rotating electrical machines - Part 1: Frame numbers 56 to 400 and flange numbers 55 to 1080

# Optional Accessories

Accessories Option	Option 1	Option 2	Option 3	Option 4	Option 5	Option 6	Option 7
Frame Size	Winding RTD PT100*3 Pcs or PTC*3 Pcs	Winding RTD PT100*6 Pcs or PTC*6 Pcs	Heater	Winding RTD PT100*3 Pcs + Heater	PTC*3 Pcs + Heater	(Winding RTD PT100*6 Pcs or PTC*6 Pcs) + Heater	Bearing RTD
80~132	✓ (only PTC*3 Pcs)	x	✓	x	✓	x	x
160	✓	x	✓	x	✓	x	x
180	✓	x	✓	x	✓	x	✓
200~225	✓	x	✓	✓	✓	x	✓
250~280	✓	x	✓	✓	✓	x	✓
315~355	✓	✓	✓	✓	✓	✓	✓

1. Select only 1 out of Options 1-6 according to Motor Frame Size
2. Option 7 can be match with Options 1-6 according to Motor Frame Size
3. Option 1 under F#80 ~132 can only fulfill PTC\*3 Pcs, PT100 is not available
4. Auxiliary T-Box will be provided for F#315 ~ 355, not applicable for F#280 and below

# TEBY Certifications

**ATEX**

**Certificato di esame UE del tipo**  
*EU-type examination certificate*  
**n. ECM 18 ATEX-B UN75**  
Rilasciato ai sensi della direttiva 2014/34/UE - Allegato III - Modulo B  
(secondo l'articolo 19 della direttiva 2014/34/UE - Annex III - Module B)

**Richiedente**  
Applicant: WULUO TECO ELECTRONIC & MACHINERY CO., LTD.  
Regione Sociale / Company Name: No. 9 Changjiang South Road Wulu, Jiangsu Province, 214028 P. R. China  
Indirizzo: No. 9 Changjiang South Road Wulu, Jiangsu Province, 214028 P. R. China  
Address: No. 9 Changjiang South Road Wulu, Jiangsu Province, 214028 P. R. China  
Luogo di produzione / Place of production: Explosion proof three phase induction motor: TEBY-160M1, TEBY-160M2, TEBY-160L, TEBY-160M, TEBY-180L, (EUB IEC T4 G14)  
Apparecchiatura / Equipment: Flameproof enclosure "D"Tipo di protezione / Type of protection: IP54

Questa apparecchiatura o sistema di protezione e le sue parti sono descritte nel presente certificato e sono accettate in conformità con le norme applicative. Eventuali varianti accettabili sono descritte nel presente certificato e sono accettate in conformità con le norme applicative.

L'ECM, Organismo Notificato n° 1282 in conformità all'art. 17 della direttiva 2014/34/UE del Parlamento europeo e del Consiglio del 26 febbraio 2014, certificato che questa apparecchiatura o sistema di protezione è conforme ai requisiti essenziali di sicurezza e salute e ai requisiti di protezione specificati in conformità con la direttiva 2014/34/UE. Further requirements of the Directive shall be applied to the production and supply conditions that are not covered by this certificate.

I requisiti essenziali di sicurezza e salute sono assicurati dalla conformità della apparecchiatura o sistema di protezione alle norme applicative EN 60079-0, EN 60079-1, EN 60079-2, EN 60079-3, EN 60079-10, EN 60079-11, EN 60079-12, EN 60079-13, EN 60079-14, EN 60079-15, EN 60079-16, EN 60079-17, EN 60079-18, EN 60079-19, EN 60079-20, EN 60079-21, EN 60079-22, EN 60079-23, EN 60079-24, EN 60079-25, EN 60079-26, EN 60079-27, EN 60079-28, EN 60079-29, EN 60079-30, EN 60079-31, EN 60079-32, EN 60079-33, EN 60079-34, EN 60079-35, EN 60079-36, EN 60079-37, EN 60079-38, EN 60079-39, EN 60079-40, EN 60079-41, EN 60079-42, EN 60079-43, EN 60079-44, EN 60079-45, EN 60079-46, EN 60079-47, EN 60079-48, EN 60079-49, EN 60079-50, EN 60079-51, EN 60079-52, EN 60079-53, EN 60079-54, EN 60079-55, EN 60079-56, EN 60079-57, EN 60079-58, EN 60079-59, EN 60079-60, EN 60079-61, EN 60079-62, EN 60079-63, EN 60079-64, EN 60079-65, EN 60079-66, EN 60079-67, EN 60079-68, EN 60079-69, EN 60079-70, EN 60079-71, EN 60079-72, EN 60079-73, EN 60079-74, EN 60079-75, EN 60079-76, EN 60079-77, EN 60079-78, EN 60079-79, EN 60079-80, EN 60079-81, EN 60079-82, EN 60079-83, EN 60079-84, EN 60079-85, EN 60079-86, EN 60079-87, EN 60079-88, EN 60079-89, EN 60079-90, EN 60079-91, EN 60079-92, EN 60079-93, EN 60079-94, EN 60079-95, EN 60079-96, EN 60079-97, EN 60079-98, EN 60079-99, EN 60079-100.

Questo certificato, incluso l'allegato, può essere riprodotto solo integralmente e senza alcuna variazione. This certificate, annex included, can only be reproduced in its entirety and without any change.

Ente Certificazione Macchine srl  
Via Cr. Belfa 243 - Loc. Casale di Serravalle - 40053 Valmaggia (BO)  
Tel. +39 0521201143 - Fax +39 0521201159 - Email: info@entecertificazionemacchine.it - www.entecertificazionemacchine.it

**Allegato I / Annex I**  
al Certificato di esame UE del tipo  
n. ECM 18 ATEX-B UN75

**Descrizione dell'apparecchiatura**  
Equipment description: Explosion proof three-phase induction motor: CATEGORY 2 - Motori a combustione interna e apparati elettrici CATEGORY 2 - Internal combustion engine and electrical equipment

**Rapporto di verifica e di prova**  
Verification and test report: CN/COM/EXTR16.0046

Ente Certificazione Macchine srl  
Via Cr. Belfa 243 - Loc. Casale di Serravalle - 40053 Valmaggia (BO)  
Tel. +39 0521201143 - Fax +39 0521201159 - Email: info@entecertificazionemacchine.it - www.entecertificazionemacchine.it

**IECEX**

**IECEX Certificate of Conformity**

Product No.: WULUO TECO ELECTRONIC & MACHINERY CO., LTD.  
Type of motor: Explosion proof three phase induction motor  
Additional Manufacturing Information: Explosion proof three phase induction motor: TEBY-160M1, TEBY-160M2, TEBY-160L, TEBY-160M, TEBY-180L, (EUB IEC T4 G14)

This certificate is issued in conformity with the requirements of the IECEx Scheme for Explosive Atmospheres. It is issued in accordance with the IECEx Scheme for Explosive Atmospheres. It is issued in accordance with the IECEx Scheme for Explosive Atmospheres.

Ente Certificazione Macchine srl  
Via Cr. Belfa 243 - Loc. Casale di Serravalle - 40053 Valmaggia (BO)  
Tel. +39 0521201143 - Fax +39 0521201159 - Email: info@entecertificazionemacchine.it - www.entecertificazionemacchine.it

**IECEX Certificate of Conformity**

Product No.: WULUO TECO ELECTRONIC & MACHINERY CO., LTD.  
Type of motor: Explosion proof three phase induction motor  
Additional Manufacturing Information: Explosion proof three phase induction motor: TEBY-160M1, TEBY-160M2, TEBY-160L, TEBY-160M, TEBY-180L, (EUB IEC T4 G14)

This certificate is issued in conformity with the requirements of the IECEx Scheme for Explosive Atmospheres. It is issued in accordance with the IECEx Scheme for Explosive Atmospheres. It is issued in accordance with the IECEx Scheme for Explosive Atmospheres.

Ente Certificazione Macchine srl  
Via Cr. Belfa 243 - Loc. Casale di Serravalle - 40053 Valmaggia (BO)  
Tel. +39 0521201143 - Fax +39 0521201159 - Email: info@entecertificazionemacchine.it - www.entecertificazionemacchine.it

# TEBY SERIES DATA

## PERFORMANCE DATA (2 POLE)

OUTPUT		FULL LOAD rpm	FRAME No.	EFFICIENCY			POWER FACTOR			CURRENT				TORQUE			ROTOR GD <sup>2</sup> kg-m <sup>2</sup>	APPROX. WEIGHT kg
kW	HP			FULL LOAD (%)	3/4 LOAD (%)	1/2 LOAD (%)	FULL LOAD (%)	3/4 LOAD (%)	1/2 LOAD (%)	FULL LOAD (A)			LOCKED ROTOR (%)	FULL LOAD kg-m	LOCKED ROTOR %FLT	BREAK-DOWN %FLT		
										VOLTAGE								
								380	400	415								
0.75	1	2875	80M	80.7	78.3	75.1	84.5	78.0	66.5	1.67	1.59	1.53	778	0.254	280	335	0.006	29
1.1	1.5	2870	80M	82.7	83.0	81.3	85.0	78.5	66.5	2.38	2.26	2.18	798	0.373	300	350	0.007	31
1.5	2	2850	90L	84.2	85.4	85.8	90.5	87.0	78.0	2.99	2.84	2.74	803	0.513	220	280	0.012	40
2.2	3	2860	90L	85.9	86.7	86.8	89.5	85.0	75.5	4.35	4.13	3.98	851	0.750	245	315	0.014	42
3	4	2855	100L	87.1	88.3	88.4	90.0	86.5	78.5	5.81	5.52	5.32	878	1.024	325	355	0.025	55
4	5.5	2875	112M	88.1	89.0	88.9	91.0	87.5	80.0	7.58	7.20	6.94	950	1.356	270	360	0.046	72
5.5	7.5	2930	132S	89.2	89.8	89.5	88.5	86.0	79.5	10.6	10.1	9.69	802	1.829	205	340	0.075	85
7.5	10	2920	132S	90.1	90.9	90.8	87.0	84.5	77.5	14.5	13.8	13.3	724	2.503	195	315	0.081	93
11	15	2935	160M	91.2	92.0	92.0	90.0	89.0	83.5	20.4	19.3	18.6	775	3.652	230	285	0.183	127
15	20	2935	160M	91.9	92.0	92.0	89.0	85.5	77.5	27.9	26.5	25.5	867	4.980	275	330	0.205	140
18.5	25	2930	160L	92.4	93.0	93.0	90.0	89.5	84.0	33.8	32.1	31.0	811	6.153	245	295	0.237	156
22	30	2940	180M	92.7	92.7	92.5	87.0	85.0	77.0	41.4	39.4	38.0	763	7.292	225	275	0.283	218
30	40	2950	200L	93.3	93.5	92.5	90.0	90.0	86.5	54.3	51.6	49.7	775	9.910	200	270	0.602	295
37	50	2955	200L	93.7	94.5	94.0	91.0	90.5	87.0	65.9	62.6	60.4	815	12.20	195	280	0.753	321
45	60	2960	225M	94.0	94.0	93.5	91.0	91.0	88.0	79.9	75.9	73.2	811	14.81	150	290	1.187	365
55	75	2970	250M	94.3	94.5	94.0	91.5	90.0	86.5	96.8	92.0	88.7	800	18.05	150	315	1.544	496
75	100	2965	280S	94.7	94.5	93.0	81.5	77.0	66.5	148	140	135	780	24.65	150	240	2.400	596
90	125	2970	280M	95.0	95.0	94.6	90.5	89.0	83.0	159	151	146	830	29.53	150	240	2.800	677
110	150	2970	315S	95.2	95.0	94.3	90.5	89.0	85.0	194	184	178	724	36.09	150	240	4.800	1018
132	175	2970	315M	95.4	95.2	94.8	91.0	90.5	88.0	231	219	212	684	43.31	130	230	5.200	1074
160	215	2970	315L	95.6	95.5	94.5	90.5	89.0	85.0	281	267	257	708	52.50	140	240	5.200	1208
185	250	2970	315L	95.7	95.5	94.5	91.0	89.0	85.0	323	307	296	707	60.70	140	240	5.200	1279
200	270	2970	315L	95.8	95.6	94.6	90.5	90.0	88.0	350	333	321	700	65.62	140	240	6.400	1349
220	300	2970	355M	95.8	95.6	94.6	90.5	90.0	88.0	386	366	353	635	72.18	140	240	6.400	1628
250	335	2975	355M	95.8	95.6	94.6	91.0	90.5	88.5	436	414	399	700	81.89	140	240	10.80	1697
280	375	2975	355L	95.8	95.6	94.6	91.0	90.5	88.5	488	464	447	699	91.72	140	240	10.80	1890
315	420	2975	355L	95.8	95.6	94.7	91.5	91.0	89.0	546	519	500	711	103.2	140	240	14.00	1978
355	475	2975	355L	95.8	95.6	94.6	92.0	91.5	89.9	612	581	560	711	116.3	140	240	16.00	2047

**NOTE:**

1. The above are typical values based on test according to IEC 60034-2-1:2007.
2. Tolerance according to IEC 60034-1.
3. Breakdown & Locked rotor torques are show as average expected voltages.
4. Efficiency, power factor, speed and torque are the same for other voltages.  
Current values vary inversely with voltage.
5. Data subject to change without prior notice.



# TEBY SERIES DATA

## PERFORMANCE DATA (4 POLE)

OUTPUT		FULL LOAD rpm	FRAME No.	EFFICIENCY			POWER FACTOR			CURRENT				TORQUE			ROTOR GD <sup>2</sup> kg-m <sup>2</sup>	APPROX. WEIGHT kg
kW	HP			FULL LOAD (%)	3/4 LOAD (%)	1/2 LOAD (%)	FULL LOAD (%)	3/4 LOAD (%)	1/2 LOAD (%)	FULL LOAD (A)			LOCKED ROTOR (%)	FULL LOAD kg-m	LOCKED ROTOR %FLT	BREAK-DOWN %FLT		
										VOLTAGE								
										380	400	415						
0.55	0.75	1425	80M	79.0	78.9	75.7	69.0	64.5	50.5	1.53	1.46	1.40	621	0.376	300	320	0.010	29
0.75	1	1410	80M	82.5	81.8	79.7	73.5	64.0	50.0	1.88	1.79	1.72	638	0.518	315	335	0.013	31
1.1	1.5	1430	90L	84.1	84.4	83.2	79.5	71.5	57.5	2.50	2.37	2.29	720	0.750	255	290	0.019	40
1.5	2	1435	90L	85.3	84.1	82.2	75.0	65.5	51.5	3.56	3.38	3.26	758	1.019	300	335	0.023	43
2.2	3	1450	100L	86.7	87.3	86.9	81.0	73.5	60.5	4.76	4.52	4.36	735	1.479	200	270	0.045	54
3	4	1455	100L	87.7	87.7	86.2	78.0	70.5	57.5	6.66	6.33	6.10	781	2.009	250	335	0.052	56
4	5.5	1445	112M	88.6	88.4	87.9	82.0	76.5	65.5	8.37	7.95	7.66	717	2.698	245	280	0.083	72
5.5	7.5	1455	132S	89.6	90.4	90.3	85.0	80.5	70.0	11.0	10.4	10.0	736	3.684	245	300	0.132	90
7.5	10	1460	132M	90.4	90.8	90.4	84.5	79.5	69.0	14.9	14.2	13.7	779	5.006	270	330	0.172	97
11	15	1460	160M	91.4	92.0	91.5	84.0	80.0	70.0	21.8	20.7	19.9	775	7.342	230	270	0.366	140
15	20	1460	160L	92.1	92.5	92.5	84.5	81.0	71.0	29.3	27.8	26.8	809	10.01	250	285	0.460	157
18.5	25	1475	180M	92.6	94.0	93.0	81.5	77.0	69.5	37.2	35.4	34.1	763	12.22	215	255	0.704	196
22	30	1475	180L	93.0	93.5	93.0	81.0	77.0	71.0	44.4	42.2	40.6	748	14.53	190	245	0.789	220
30	40	1470	200L	93.6	94.5	94.5	86.0	84.5	77.0	56.6	53.8	51.9	829	19.90	250	280	1.451	328
37	50	1480	225M	93.9	94.5	94.0	85.5	82.0	73.0	70.0	66.5	64.1	760	24.40	210	300	1.896	357
45	60	1480	225M	94.2	94.5	94.0	84.5	79.5	70.0	85.9	81.6	78.7	736	29.60	210	290	1.979	365
55	75	1485	250M	94.6	94.6	94.0	87.5	84.5	77.0	101	95.9	92.4	782	36.10	210	265	3.911	502
75	100	1480	280S	95.0	95.0	94.2	89.0	87.5	82.0	135	128	123	710	49.40	160	250	6.400	621
90	125	1480	280M	95.2	95.0	94.5	88.5	87.0	81.0	162	154	149	715	59.30	180	250	7.200	702
110	150	1480	315S	95.4	95.2	94.8	88.5	86.5	81.0	198	188	181	723	72.40	160	250	11.60	1025
132	175	1480	315M	95.6	95.5	94.8	88.5	87.5	85.0	237	225	217	666	86.90	150	230	12.40	1080
160	215	1482	315L	95.8	95.6	94.6	88.5	87.0	83.0	287	272	263	679	105.2	130	230	11.60	1210
185	250	1482	315L	95.9	95.6	94.6	89.0	87.0	83.0	329	313	302	687	121.6	130	230	11.60	1285
200	270	1485	315L	96.0	95.8	95.0	88.5	87.0	84.0	358	340	328	679	131.2	140	230	14.40	1356
220	300	1485	355M	96.0	95.8	95.0	88.5	87.0	84.0	393	374	360	618	144.4	140	230	14.40	1643
250	335	1485	355M	96.0	95.8	95.0	89.0	88.0	84.5	445	422	407	690	164.1	140	230	27.20	1700
280	375	1485	355L	96.0	95.8	95.0	89.0	88.0	84.5	498	473	456	690	183.7	140	230	27.20	1896
315	420	1485	355L	96.0	96.0	95.4	89.0	88.0	84.5	560	532	513	679	206.7	130	230	34.40	1975
355	475	1485	355L	96.0	95.8	94.8	90.0	89.5	87.9	624	593	572	679	233.0	140	230	34.50	2052

**NOTE:**

1. The above are typical values based on test according to IEC 60034-2-1:2007.
2. Tolerance according to IEC 60034-1.
3. Breakdown & Locked rotor torques are show as average expected voltages.
4. Efficiency, power factor, speed and torque are the same for other voltages.  
Current values vary inversely with voltage.
5. 0.55kW and below: Efficiency per TECO performance standard (Not IE3).
6. Data subject to change without prior notice.

# TEBY SERIES DATA

## PERFORMANCE DATA (6 POLE)

OUTPUT		FULL LOAD rpm	FRAME No.	EFFICIENCY			POWER FACTOR			CURRENT				TORQUE			ROTOR GD <sup>2</sup> kg-m <sup>2</sup>	APPROX. WEIGHT kg
kW	HP			FULL LOAD (%)	3/4 LOAD (%)	1/2 LOAD (%)	FULL LOAD (%)	3/4 LOAD (%)	1/2 LOAD (%)	FULL LOAD (A)			LOCKED ROTOR (%)	FULL LOAD kg-m	LOCKED ROTOR %FLT	BREAK-DOWN %FLT		
										VOLTAGE								
										380	400	415						
0.37	0.5	890	80M	73.5	71.1	68.5	70.0	64.5	50.5	1.09	1.04	1.00	468	0.405	190	200	0.011	33
0.55	0.75	905	80M	70.0	69.7	66.2	69.0	61.0	47.5	1.73	1.64	1.58	376	0.592	210	225	0.012	42
0.75	1	935	90L	78.9	80.6	79.4	71.0	62.5	49.0	2.03	1.93	1.86	468	0.782	205	225	0.022	42
1.1	1.5	930	90L	81.0	81.2	80.5	72.0	63.5	50.0	2.87	2.72	2.62	488	1.153	200	215	0.026	45
1.5	2	950	100L	82.5	82.9	81.5	72.5	65.0	50.2	3.81	3.62	3.49	499	1.539	280	225	0.058	56
2.2	3	960	112M	84.3	84.3	82.2	67.0	59.0	47.0	5.92	5.62	5.42	524	2.233	175	250	0.083	73
3	4	970	132S	85.6	86.1	85.1	79.5	73.0	60.0	6.70	6.36	6.13	657	3.014	175	300	0.154	87
4	5.5	970	132M	86.8	87.2	86.3	79.5	72.5	60.0	8.81	8.37	8.06	681	4.019	180	310	0.205	95
5.5	7.5	970	132M	88.0	88.0	86.2	73.5	65.5	52.0	12.9	12.3	11.8	721	5.525	210	345	0.216	103
7.5	10	970	160M	89.1	90.0	89.0	79.0	73.0	61.0	16.2	15.4	14.8	716	7.535	235	280	0.483	142
11	15	970	160L	90.3	91.0	90.5	78.0	72.0	60.5	23.7	22.5	21.7	755	11.05	295	285	0.628	159
15	20	970	180L	91.2	92.0	92.0	82.0	78.0	68.0	30.5	29.0	27.9	692	15.07	215	230	1.337	226
18.5	25	975	200L	91.7	92.5	92.5	80.5	76.0	66.5	38.1	36.2	34.9	719	18.49	220	240	1.829	302
22	30	975	200L	92.2	93.0	93.5	81.5	77.0	68.0	44.5	42.3	40.7	721	21.99	210	240	2.078	331
30	40	980	225M	92.9	93.5	93.5	83.5	80.0	76.5	58.8	55.8	53.8	600	29.80	200	215	3.023	366
37	50	980	250M	93.3	94.0	94.0	85.0	81.5	75.0	70.9	67.3	64.9	728	36.80	230	250	4.194	497
45	60	980	280S	93.7	93.7	93.0	85.0	82.0	73.5	85.8	81.6	78.6	650	44.70	140	230	7.600	610
55	75	980	280M	94.1	94.0	93.5	85.0	82.0	74.0	104	99.3	95.7	648	54.70	150	240	9.600	695
75	100	985	315S	94.6	94.5	93.7	84.5	81.5	73.0	143	135	131	663	74.20	160	240	14.80	1020
90	125	985	315M	94.9	94.9	94.2	85.0	82.5	75.0	170	161	155	638	89.00	160	230	16.80	1077
110	150	985	315L	95.1	95.0	94.2	84.5	82.0	75.0	208	198	190	663	108.8	150	230	18.80	1210
132	175	985	315L	95.4	95.4	94.3	84.5	82.5	75.0	249	236	228	643	130.6	140	230	20.40	1282
160	215	985	335M	95.6	95.5	94.5	84.5	82.5	75.0	301	286	276	658	158.3	140	230	31.60	1630
200	270	985	355M	95.8	95.5	94.6	85.0	83.0	77.5	373	355	342	654	197.9	150	240	40.80	1698
220	300	985	355L	95.8	95.5	94.6	85.0	83.0	77.5	410	390	376	595	217.7	150	240	40.80	1895
250	335	985	355L	95.8	95.6	94.8	85.5	83.5	78.0	464	441	425	659	247.3	150	230	46.00	1980
280	375	985	355L	95.8	95.6	94.8	85.5	83.5	78.0	519	493	476	660	277.0	150	230	46.00	2051

**NOTE:**

1. The above are typical values based on test according to IEC 60034-2-1:2007.
2. Tolerance according to IEC 60034-1.
3. Breakdown & Locked rotor torques are show as average expected voltages.
4. Efficiency, power factor, speed and torque are the same for other voltages.  
Current values vary inversely with voltage.
5. 0.55kW and below: Efficiency per TECO performance standard (Not IE3).
6. Data subject to change without prior notice.

# TEBY SERIES DATA

## PERFORMANCE DATA (8 POLE)

OUTPUT		FULL LOAD rpm	FRAME No.	EFFICIENCY			POWER FACTOR			CURRENT				TORQUE			ROTOR GD <sup>2</sup> kg-m <sup>2</sup>	APPROX. WEIGHT kg
kW	HP			FULL LOAD (%)	3/4 LOAD (%)	1/2 LOAD (%)	FULL LOAD (%)	3/4 LOAD (%)	1/2 LOAD (%)	FULL LOAD (A)			LOCKED ROTOR (%)	FULL LOAD kg-m	LOCKED ROTOR %FLT	BREAK-DOWN %FLT		
										VOLTAGE								
										380	400	415						
0.18	0.25	650	80M	58.7	56.5	51.1	61.0	55.4	48.9	0.76	0.73	0.70	329	0.270	180	190	0.018	33
0.25	0.33	660	80M	64.1	62.3	58.6	61.0	53.2	49.3	0.97	0.92	0.89	330	0.369	180	190	0.020	35
0.37	0.5	670	90L	69.3	67.8	64.2	61.0	52.4	41.2	1.33	1.26	1.22	398	0.538	180	190	0.022	34
0.55	0.75	680	90L	73.0	68.0	62.8	61.0	51.8	39.3	1.88	1.78	1.72	399	0.788	180	200	0.025	45
0.75	1	690	100L	75.0	76.6	75.5	67.0	61.8	52.7	2.27	2.15	2.08	401	1.059	180	200	0.031	54
1.1	1.5	690	100L	77.7	77.9	77.2	69.0	63.8	54.0	3.12	2.96	2.85	513	1.554	180	200	0.041	57
1.5	2	690	112M	79.7	80.1	81.2	70.0	67.3	60.0	4.09	3.88	3.74	489	2.118	180	200	0.065	73
2.2	3	710	132S	81.9	81.0	79.2	71.0	67.4	60.0	5.75	5.46	5.26	591	3.020	180	200	0.130	88
3	4	710	132M	83.5	84.6	82.0	73.0	70.2	63.7	7.48	7.10	6.85	602	4.118	180	200	0.182	96
4	5.5	720	160M	84.8	85.7	85.6	73.0	70.2	64.2	9.82	9.33	8.99	601	5.414	190	200	0.275	130
5.5	7.5	720	160M	86.2	86.8	86.5	74.0	71.9	66.5	13.1	12.4	12.0	603	7.444	190	200	0.432	144
7.5	10	720	160L	87.3	88.1	88.0	75.0	72.8	66.8	17.4	16.5	15.9	598	10.15	190	200	0.530	160
11	15	720	180L	88.6	89.4	89.1	75.0	74.2	69.6	25.2	23.9	23.0	647	14.89	200	200	0.870	227
15	20	730	200L	89.6	90.0	90.0	76.0	73.0	66.2	33.5	31.8	30.6	660	20.02	200	200	1.635	330
18.5	25	730	225M	90.1	90.7	90.7	76.0	75.6	70.9	41.0	39.0	37.6	661	24.70	190	200	2.526	355
22	30	730	225M	90.6	90.8	90.4	78.0	76.2	69.0	47.3	44.9	43.3	660	29.37	190	200	2.915	364
30	40	740	250M	91.3	91.8	91.8	79.0	77.2	70.3	63.2	60.0	57.9	650	39.50	190	200	4.445	499
37	50	740	280S	91.8	92.6	92.1	79.0	78.6	75.5	77.5	73.6	71.0	661	48.70	190	200	7.105	595
45	60	740	280M	92.2	92.2	91.7	79.0	76.2	68.3	93.9	89.2	86.0	660	59.30	190	200	8.550	675
55	75	735	315S	92.5	92.7	92.2	81.0	79.7	76.6	112	106	102	657	72.90	180	200	17.20	1021
75	100	735	315M	93.1	93.0	91.4	81.0	80.1	76.1	151	144	138	621	99.40	180	200	20.00	1078
90	125	735	315L	93.4	93.4	93.0	82.0	80.6	75.2	179	170	163	639	119.3	180	200	24.80	1078
110	150	735	315L	93.7	93.5	92.8	82.0	80.6	77.0	218	207	199	639	145.8	180	200	28.60	1285
132	175	745	355M	94.0	93.8	93.4	82.0	81.5	79.3	260	247	238	640	172.7	180	200	40.40	1632
160	215	745	355M	94.3	94.2	93.2	83.0	81.5	79.3	311	295	284	639	209.3	180	200	51.60	1700
185	250	745	355L	94.4	94.2	93.2	82.0	85.6	81.7	363	345	332	640	242.0	180	200	51.60	1897
200	270	745	355L	94.6	94.4	93.4	83.0	82.5	80.7	387	368	354	640	261.6	180	200	65.40	1983
220	300	745	355L	94.6	94.4	93.4	83.0	82.5	80.7	426	404	390	600	287.8	180	200	65.40	2050

**NOTE:**

1. The above are typical values based on test according to IEC 60034-2-1:2007.
2. Tolerance according to IEC 60034-1.
3. Breakdown & Locked rotor torques are show as average expected voltages.
4. Efficiency, power factor, speed and torque are the same for other voltages.  
Current values vary inversely with voltage.
5. 0.55kW and below: Efficiency per TECO performance standard (Not IE3).
6. Data subject to change without prior notice.

Frame Size: 80M to 225M

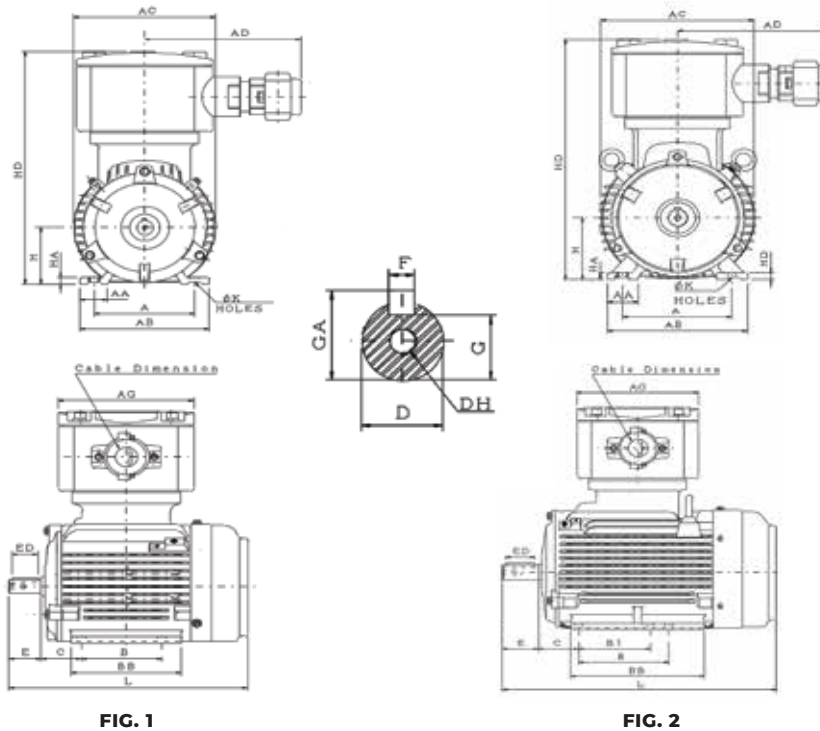


FIG. 1

FIG. 2

Output (kW)				FRAME SIZE	FIG. NO	A	AA	AB	AC	AD	AG	B1	B	BB	C	
2P	4P	6P	8P													
0.75	0.55	0.37	0.18	80M	1	125	34.5	161	177	195	175	---	100	137	50	
1.1	0.75	0.55	0.25													
1.5	1.1	0.75	0.37	90L	2	140	40	180	197	195	175	100	125	186	56	
2.2	1.5	1.1	0.55													
3	2.2	1.5	0.75	100L	2	160	40	200	219	195	175	---	140	211	63	
	3		1.1													
4	4	2.2	1.5	112M	2	190	45	235	235	195	175	---	140	180	70	
5.5	5.5	3	2.2	132S	3	216	57	263	273	195	175	---	140	190	89	
7.5																
---	7.5	4	3	132M	3	216	57	263	273	195	175	140	178	230	89	
---		5.5														
11	11	7.5	4	160M	3	254	60	300	317	214	205	---	210	254	300	108
15																
18.5	15	11	7.5	160L	3	254	60	300	317	214	205	210	254	300	108	
22	18.5	---	---	180M	4	279	65	330	355	214	205	---	241	292	121	
---	22	15	11	180L												
30	30	18.5	15	200L	4	318	70	378	399	270	235	---	305	365	133	
37																22
---	37	---	18.5	225M	4	356	75	431	449	270	235	286	311	375	149	
45		30														22

**NOTE:**

1. All dimensions are in mm.
2. Pre-packed shielded ball bearing for frame size 80M to 160L.
3. Open type ball bearing for frame size 180M to 355L.
4. Dual eye-bolts provided for frame size 90L to 355L.
5. Data subject to change without prior notice.

Frame Size: 80M to 225M

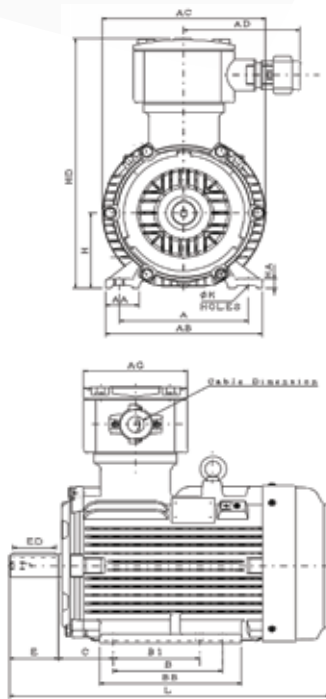


FIG. 3

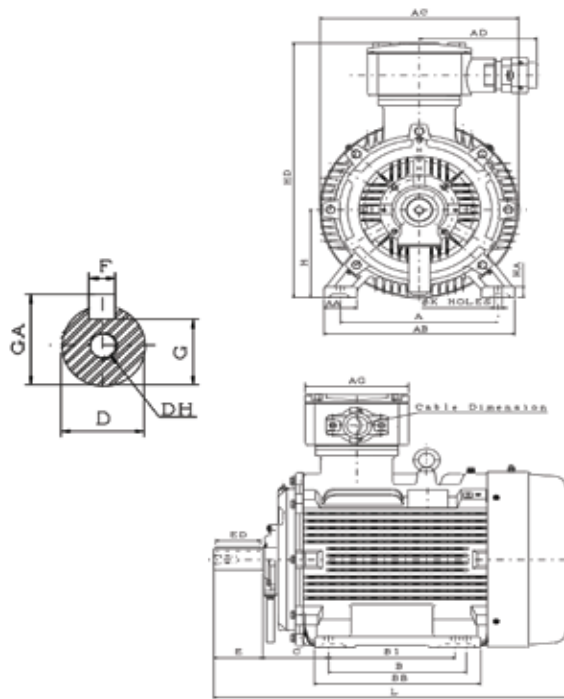


FIG. 4

FRAME SIZE	H	HA	HD	K	L	SHAFT EXTENSION						BEARING		Cable Gland Dimension	Incoming Cable Outer Diameter Range	
						D	E	ED	F	G	GA	DH	DRIVE END			OPPOSITE DRIVE END
80M	80	10	326	10	300	19	40	32	6	15.5	21.5	M6X16	6204ZCC3	6204ZCC3	rubber sheath cable or M30x2 or NPT 1"	ø13~ø22
90L	90	10	350	10	385	24	50	40	8	20	27	M8X19	6205ZCC3	6205ZCC3		
100L	100	12	375	12	421	28	60	50	8	24	31	M10X22	6206ZCC3	6206ZCC3		
112M	112	13	400	12	456	28	60	50	8	24	31	M10X22	6306ZCC3	6306ZCC3		
132S	132	16	445	12	486	38	80	70	10	33	41	M12X28	6308ZCC3	6306ZCC3	rubber sheath cable or M36x2 or NPT 1.25"	ø13~ø28
132M					526											
160M	160	18	487	14.5	670	42	110	100	12	37	45	M16X36	6309ZCC3	6307ZCC3		
160L					705											
180M	180	20	542	14.5	671	48	110	100	14	42.5	51.5	M16X36	6311C3	6310C3		
180L					709											
200L	200	24	610	18.5	805	55	110	100	16	49	59	M20X42	6312C3	6212C3	rubber sheath cable or M48x2 or NPT 1.5" or NPT 2"	ø19~ø37
225M	225	28	652	18.5	(811) 841	(55) 60	(110) 140	(100) 125	(16) 18	(49) 53	(59) 64	M20X42	(6312C3) 6313C3	(6212C3) 6213C3		

**NOTE:**

1. All dimensions are in mm.
2. Tolerance of shaft end diameter D : 1)ø19~ ø28 :j6, 2)ø38~ ø48 :k6, 3)ø55~ ø60 :m6
3. Tolerance of shaft center height H : +0, -0.5
4. No. in ( ) is for 2Pole.
5. Data subject to change without prior notice.

# TEBY SERIES DATA

## B3 OUTLINE DIMENSION

# B3

Frame Size: 250M to 355L

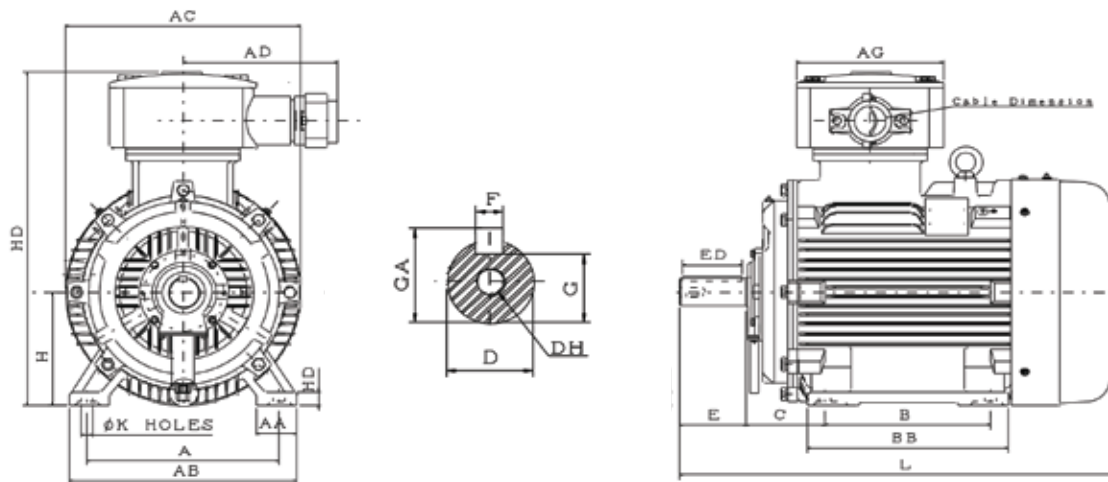


FIG. 5

Output (kW)				FRAME SIZE	FIG. NO	A	AA	AB	AC	AD	AG	B	BB	C									
2P	4P	6P	8P																				
55	55	37	30	250M	5	406	85	480	498	330	310	349	425	168									
75	75	45	37	280S		457	110	560	528	330	310	368	465	190									
90	90	55	45	280M								419	516										
110	110	75	55	315S		508	115	615	620	370	380	406	550	216									
132	132	90	75	315M								457	610										
160	160	110	90	315L	6	508	115	615	620	370	380	508	680	216									
185	185	132	110																				
200	200	---	---																				
220	220	160	132	355M											610	150	750	712	370	380	560	700	254
250	250	200	160																				
280	280	220	185																				
315	315	250	200																				
355	355	280	220	355L	630	770																	

**NOTE:**

1. All dimensions are in mm.
2. Open type ball bearing for frame size 180M to 355L.
3. Dual eye-bolts provided for frame size 90L to 355L.
4. Data subject to change without prior notice.

Frame Size: 250M to 355L

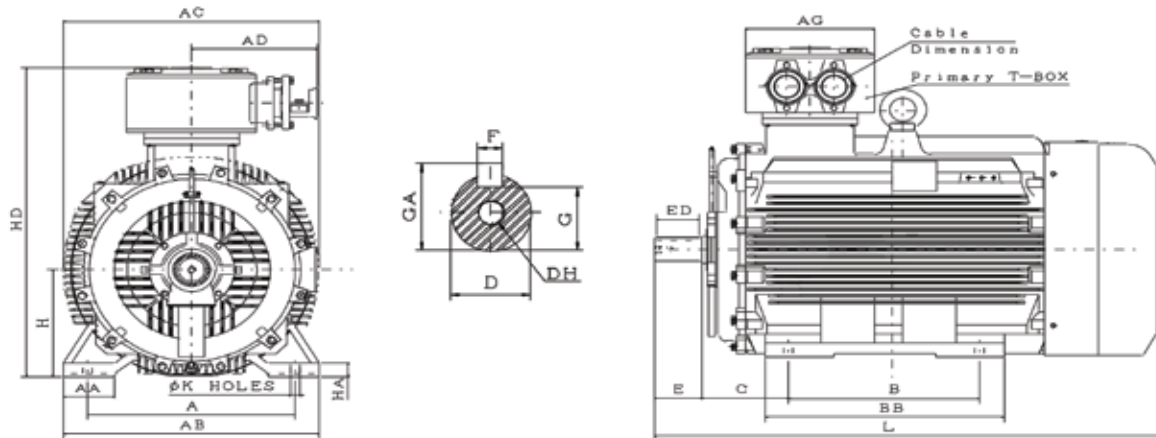


FIG. 6

FRAME SIZE	H	HA	HD	K	L	SHAFT EXTENSION							BEARING		Cable Gland Dimension	Incoming Cable Outer Diameter Range
						D	E	ED	F	G	GA	DH	DRIVE END	OPPOSITE DRIVE END		
250M	250	30	740	24	930	(60) 65	140	125	18	(53) 58	(64) 69	M20X42	(6313C3) 6315C3	(6313C3) 6313C3	rubber sheath cable or M64x2 or NPT 2.5"	ø24~ø40
280S	280	35	780	24	990	(65) 75	140	125	(18) 20	(58) 67.5	(69) 79.5	M20X40	(6314C3) 6318C3	(6314C3) 6316C3		
280M					1050											
315S	315	35	898	28	(1173) 1203	(65) 80	(140) 170	(125) 160	(18) 22	(58) 71	(69) 85	M20X40	(6316C3) 6320C3	(6314C3) 6316C3	rubber sheath cable or M64x2 or M63x1.5 or NPT 2.5"	ø38~ø58
315M			913		(1253) 1283											
315L	315	35	913	28	(1353) 1383	(65) 80	(140) 170	(125) 160	(18) 22	(58) 71	(69) 85	M20X40	(6316C3) 6320C3	(6314C3) 6316C3		
355M	355	45	1025	28	(1488) 1493	(75) 95	(140) 170	(125) 160	(20) 25	(67.5) 86	(79.5) 100	(M20X40) M24X48	(6317C3) 6322C3	(6317C3) 6322C3		
355L					(1538) 1543											

**NOTE:**

1. All dimensions are in mm.
2. Tolerance of shaft end diameter D : 1)ø60~ ø95 :m6
3. Tolerance of shaft center height H : 1) 80~250: +0, -0.5, 2) 280~355: +0, -1
4. No. in ( ) is for 2Pole.
5. Data subject to change without prior notice.

# TEBY SERIES DATA

## V1 OUTLINE DIMENSION

# V1

Frame Size: 80M to 225M

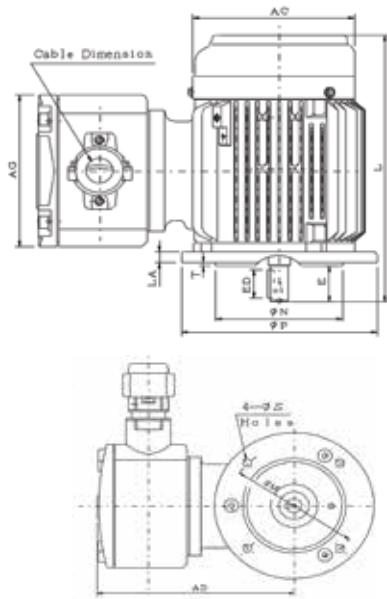


FIG. 1

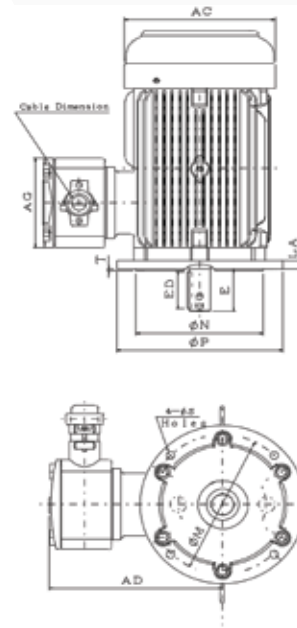


FIG. 2

Output (kW)				FRAME SIZE	FIG. NO	FLANGE DIMENSION						AC	AD	AG
2P	4P	6P	8P			LA	M	N	P	S	T			
0.75	0.55	0.37	0.18	80M	1	12	165	130	200	12	3.5	177	246	175
1.1	0.75	0.55	0.25											
1.5	1.1	0.75	0.37	90L	2	12	165	130	200	12	3.5	197	260	175
2.2	1.5	1.1	0.55											
3	2.2	1.5	0.75	100L	2	16	215	180	250	14.5	4	219	275	175
	3		1.1											
4	4	2.2	1.5	112M	2	15	215	180	250	14.5	4	235	288	175
5.5	5.5	3	2.2	132S	3	16	265	230	300	14.5	4	273	313	175
7.5														
---	7.5	4	3	132M	3	16	265	230	300	14.5	4	273	313	175
---		5.5												
11	11	7.5	4	160M	3	15	300	250	350	18.5	5	317	327	205
15			5.5											
18.5	15	11	7.5	160L	4	15	300	250	350	18.5	5	355	362	205
22	18.5	---	---	180M										
---	22	15	11	180L	4	17	350	300	400	18.5	5	399	410	235
30	30	18.5	15	200L										
37		22												
---	37	---	18.5	225M	4	20	400	350	450	18.5	5	449	427	235
45		30												

**NOTE:**

1. All dimensions are in mm.
2. Tolerance of N: 1)  $\phi 130 \sim \phi 250$  :j6, 2)  $\phi 300 \sim \phi 350$  :js6
3. Pre-packed shielded ball bearing for frame size 80M to 160L.
4. Open type ball bearing for frame size 180M to 355L.
5. Dual eye-bolts provided for frame size 90L to 355L.
6. Data subject to change without prior notice.



Frame Size: 80M to 225M

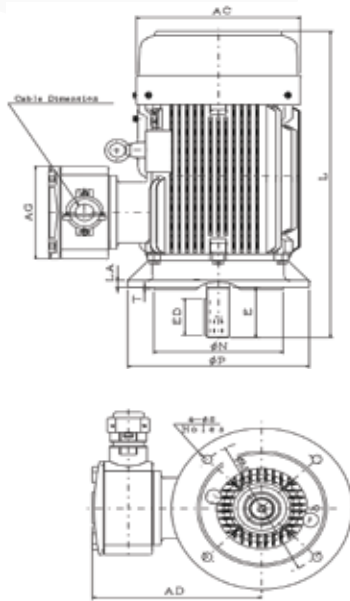


FIG. 3

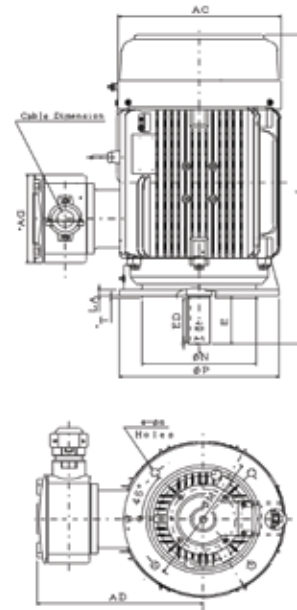
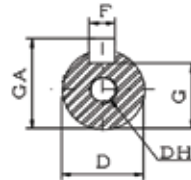


FIG. 4

FRAME SIZE	L	SHAFT EXTENSION							BEARING		Cable Gland Dimension	Incoming Cable Outer Diameter Range
		D	E	ED	F	G	GA	DH	DRIVE END	OPPOSITE DRIVE END		
80M	300	19	40	32	6	15.5	21.5	M6X16	6204ZZC3	6204ZZC3	rubber sheath cable or M30x2 or NPT 1"	ø13~ø22
90L	385	24	50	40	8	20	27	M8X19	6205ZZC3	6205ZZC3		
100L	421	28	60	50	8	24	31	M10X22	6206ZZC3	6206ZZC3		
112M	456	28	60	50	8	24	31	M10X22	6306ZZC3	6306ZZC3		
132S	486	38	80	70	10	33	41	M12X28	6308ZZC3	6306ZZC3		
132M	526											
160M	670	42	110	100	12	37	45	M16X36	6309ZZC3	6307ZZC3	rubber sheath cable or M36x2 or NPT 1.25"	ø13~ø28
160L	705											
180M	671	48	110	100	14	42.5	51.5	M16X36	6311C3	6310C3		
180L	709											
200L	805	55	110	100	16	49	59	M20X42	6312C3	6212C3	rubber sheath cable or M48x2 or NPT 1.5" or NPT 2"	ø19~ø37
225M	(811) 841	(55) 60	(110) 140	(100) 125	(16) 18	(49) 53	(59) 64	M20X42	(6312C3) 6313C3	(6212C3) 6213C3		

**NOTE:**

1. All dimensions are in mm.
2. Tolerance of shaft end diameter D : 1)ø19~ ø28 :j6, 2)ø38~ ø48 :k6, 3)ø55~ ø75 :m6
3. No. in ( ) is for 2Pole.
4. Data subject to change without prior notice.

Frame Size: 250M to 355L

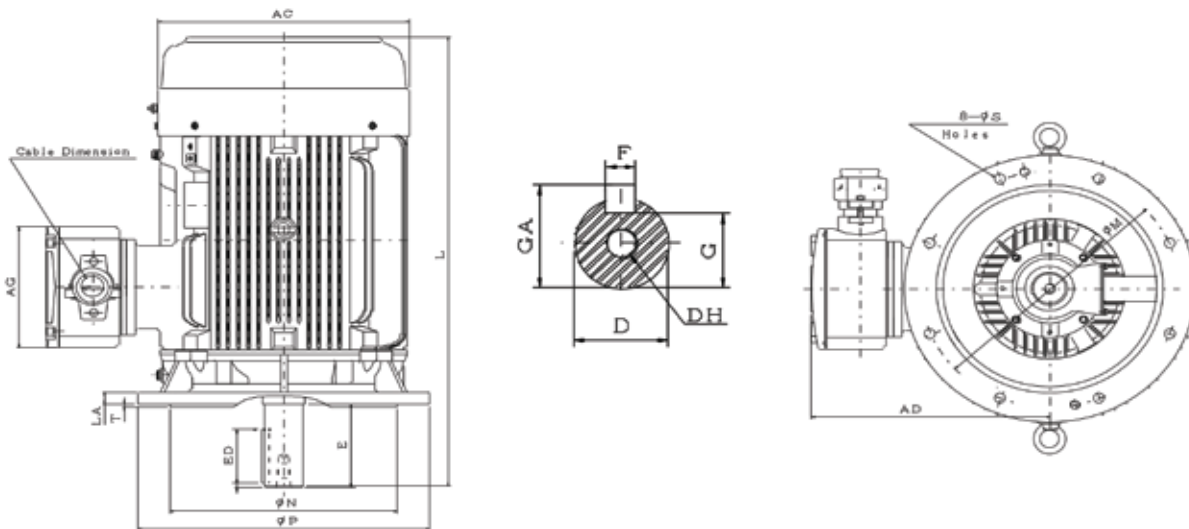


FIG. 5

Output (kW)				FRAME SIZE	FIG. NO	FLANGE DIMENSION						AC	AD	AG									
2P	4P	6P	8P			LA	M	N	P	S	T												
55	55	37	30	250M	5	22	500	450	550	18.5	5	498	490	310									
75	75	45	37	280S		22	500	450	550	18.5	5	528	500	310									
90	90	55	45	280M		25	600	550	660	24	6	620	(561)	380									
110	110	75	55	315S									(583)										
132	132	90	75	315M									(576)		(598)								
160	160	110	90	315L	6	25	600	550	660	24	6	620	598	380									
185	185	132	110																				
200	200	---	---																				
220	220	160	132	355M											30	740	680	800	24	6	712	670	380
250	250	200	160																				
280	280	220	185	355L																			
315	315	250	200																				
355	355	280	220																				

**NOTE:**

1. All dimensions are in mm.
2. Tolerance of N: 1)ø450- ø680 :js6
3. Open type ball bearing for frame size 180M to 355L.
4. Dual eye-bolts provided for frame size 90L to 355L.
5. Data subject to change without prior notice.

Frame Size: 250M to 355L

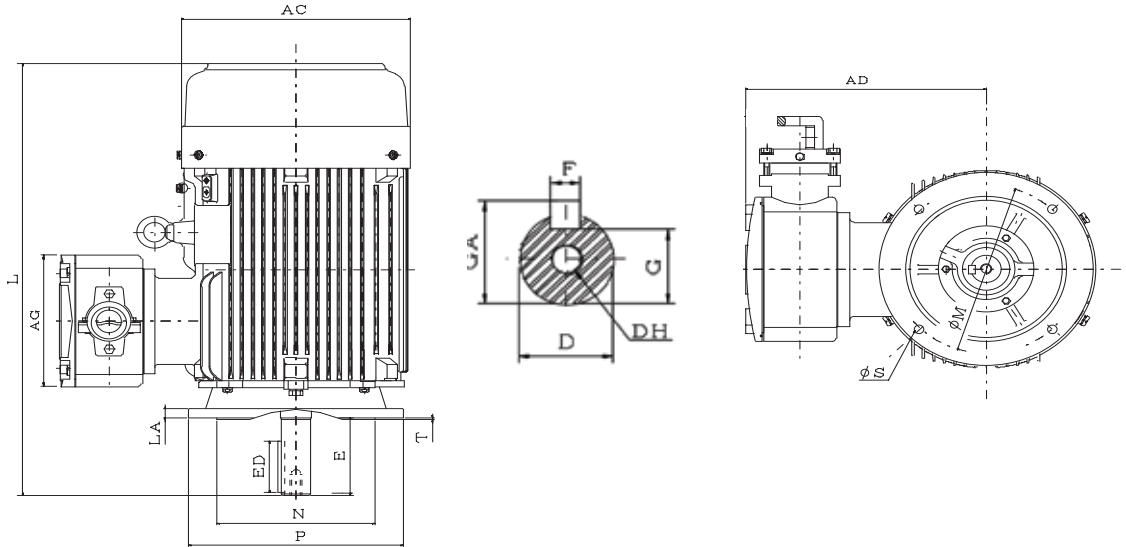


FIG. 6

FRAME SIZE	L	SHAFT EXTENSION							BEARING		Cable Gland Dimension	Incoming Cable Outer Diameter Range
		D	E	ED	F	G	GA	DH	DRIVE END	OPPOSITE DRIVE END		
250M	930	(60) 65	140	125	18	(53) 58	(64) 69	M20X42	(6313C3) 6315C3	(6313C3) 6313C3	rubber sheath cable or M64x2 or NPT 2.5"	ø24~ø40
280S	990	(65) 75	140	125	(18) 20	(58) 67.5	(69) 79.5	M20X40	(6314C3) 6318C3	(6314C3) 6316C3		
280M	1050											
315S	(1173) 1203	(65) 80	(140) 170	(125) 160	(18) 22	(58) 71	(69) 85	M20X40	(6316C3) 6320C3	(6314C3) 6316C3	rubber sheath cable or M64x2 or M63x1.5 or NPT 2.5"	ø38~ø58
315M	(1253) 1283											
315L	(1353) 1383	(65) 80	(140) 170	(125) 160	(18) 22	(58) 71	(69) 85	M20X40	(6316C3) 6320C3	(6314C3) 6316C3		
355M	(1488) 1518											
355L	(1538) 1568	(75) 95	(140) 170	(125) 160	(20) 25	(67.5) 86	(79.5) 100	(M20X40) M24X48	(6317C3) 6322C3	(6317C3) 6322C3		

**NOTE:**

1. All dimensions are in mm.
2. Tolerance of shaft end diameter D :1)ø60~ ø95 :m6
3. No. in ( ) is for 2Pole.
4. Data subject to change without prior notice.

# TEBY SERIES DATA

## B35 OUTLINE DIMENSION

# B35

Frame Size: 80M to 255M

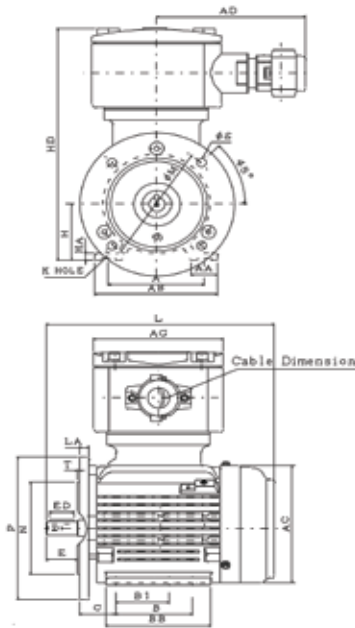


FIG. 1

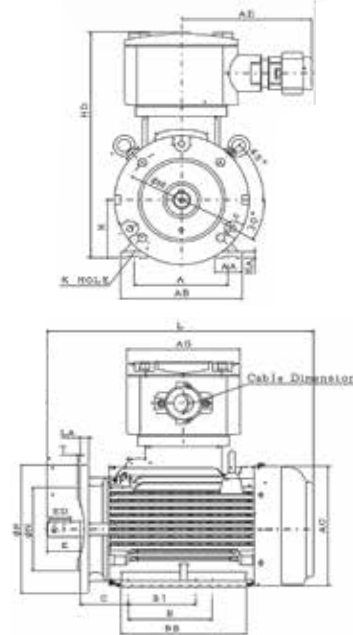
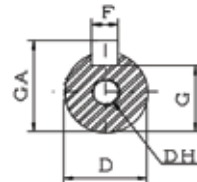


FIG. 2

Output (kW)				FRAME SIZE	FIG. NO	FLANGE DIMENSION						A	AA	AB	AC	AD	AG	B1	B	BB	C
2P	4P	6P	8P			LA	M	N	P	S	T										
0.75	0.55	0.37	0.18	80M	1	12	165	130	200	12	3.5	125	34.5	161	177	195	175	---	100	137	50
1.1	0.75	0.55	0.25			12	165	130	200	12	3.5	140	40	180	197	195	175	100	125	186	56
1.5	1.1	0.75	0.37	90L	2	12	165	130	200	12	3.5	140	40	180	197	195	175	100	125	186	56
2.2	1.5	1.1	0.55			16	215	180	250	14.5	4	160	40	200	219	195	175	---	140	211	63
3	2.2	1.5	0.75	100L	2	16	215	180	250	14.5	4	160	40	200	219	195	175	---	140	211	63
3	3	1.5	1.1			15	215	180	250	14.5	3.5	190	45	235	235	195	175	---	140	180	70
4	4	2.2	1.5	112M	3	16	265	230	300	14.5	4	216	57	263	273	195	175	---	140	190	89
5.5	5.5	3	2.2	132S		16	265	230	300	14.5	4	216	57	263	273	195	175	---	140	190	
7.5	7.5	3	2.2	132M	3	16	265	230	300	14.5	4	216	57	263	273	195	175	140	178	230	108
---	7.5	4	3	132M		15	300	250	350	18.5	5	254	60	300	317	214	205	---	210	256	
11	11	7.5	4	160M	3	15	300	250	350	18.5	5	254	60	300	317	214	205	---	210	256	108
15	11	7.5	5.5	160L		15	300	250	350	18.5	5	254	60	300	317	214	205	210	254	300	
18.5	15	11	7.5	160L	3	15	300	250	350	18.5	5	254	60	300	317	214	205	---	210	256	121
22	18.5	---	---	180M		15	300	250	350	18.5	5	279	65	330	355	214	205	---	241	292	
---	22	15	11	180L	4	17	350	300	400	18.5	5	318	70	378	399	270	235	---	305	365	133
30	30	18.5	15	200L		17	350	300	400	18.5	5	318	70	378	399	270	235	---	305	365	
37	30	22	15	200L	4	20	400	350	450	18.5	5	356	75	431	449	270	235	286	311	375	149
---	37	---	18.5	225M		20	400	350	450	18.5	5	356	75	431	449	270	235	286	311	375	
45	45	30	22	225M	4	20	400	350	450	18.5	5	356	75	431	449	270	235	286	311	375	149

**NOTE:**

1. All dimensions are in mm.
2. Tolerance of N: 1)  $\varnothing 130 - \varnothing 250 : j6$ , 2)  $\varnothing 300 - \varnothing 350 : js6$
3. Pre-packed shielded ball bearing for frame size 80M to 160L.
4. Open type ball bearing for frame size 180M to 355L.
5. Dual eye-bolts provided for frame size 90L to 355L.
6. Data subject to change without prior notice.

# B35

## B35 OUTLINE DIMENSION

Frame Size: 80M to 255M

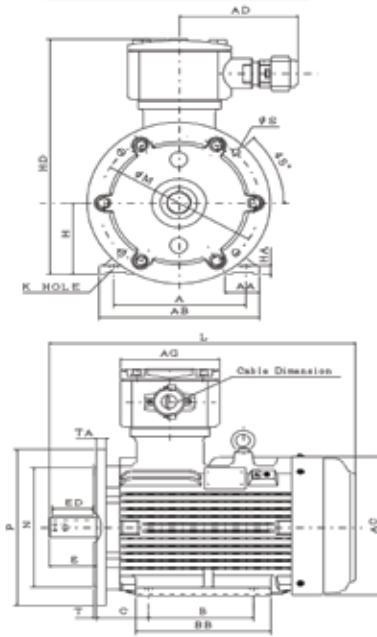


FIG. 3

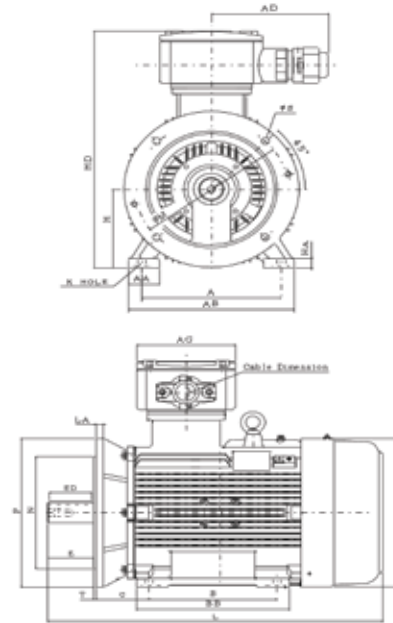
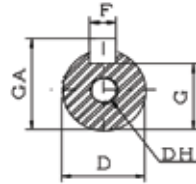


FIG. 4

FRAME SIZE	H	HA	HD	K	L	SHAFT EXTENSION							BEARING		Cable Gland Dimension	Incoming Cable Outer Diameter Range
						D	E	ED	F	G	GA	DH	DRIVE END	OPPOSITE DRIVE END		
80M	80	10	326	10	300	19	40	32	6	15.5	21.5	M6X16	6204ZZC3	6204ZZC3	rubber sheath cable or M30x2 or NPT 1"	ø13~ø22
90L	90	10	350	10	385	24	50	40	8	20	27	M8X19	6205ZZC3	6205ZZC3		
100L	100	12	375	12	421	28	60	50	8	24	31	M10X22	6206ZZC3	6206ZZC3		
112M	112	13	400	12	456	28	60	50	8	24	31	M10X22	6306ZZC3	6306ZZC3		
132S	132	16	445	12	486	38	80	70	10	33	41	M12X28	6308ZZC3	6306ZZC3		
132M					526											
160M	160	18	487	14.5	670	42	110	100	12	37	45	M16X36	6309ZZC3	6307ZZC3	rubber sheath cable or M36x2 or NPT 1.25"	ø13~ø28
160L					705											
180M	180	20	542	14.5	671	48	110	100	14	42.5	51.5	M16X36	6311C3	6310C3		
180L					709											
200L	200	24	610	18.5	805	55	110	100	16	49	59	M20X42	6312C3	6212C3	rubber sheath cable or M48x2 or NPT 1.5" or NPT 2"	ø19~ø37
225M	225	28	652	18.5	(811) 841	(55) 60	(110) 140	(100) 125	(16) 18	(49) 53	(59) 64	M20X42	(6312C3) 6313C3	(6212C3) 6213C3		

**NOTE:**

- All dimensions are in mm.
- Tolerance of shaft end diameter D : 1)ø19~ ø28 :j6, 2)ø38~ ø48 :k6, 3)ø55~ ø60 :m6
- Tolerance of shaft center height H : +0, -0.5
- No. in ( ) is for 2Pole.
- Data subject to change without prior notice.

# TEBY SERIES DATA

## B35 OUTLINE DIMENSION

# B35

Frame Size: 250M to 355L

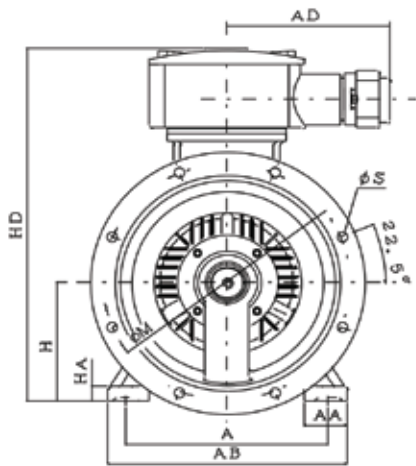


FIG. 5

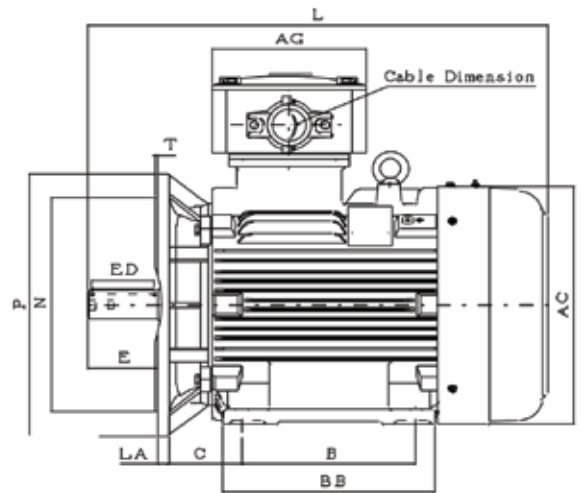
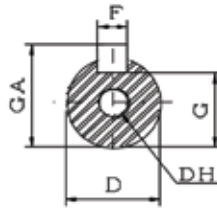


FIG. 6

Output (kW)				FRAME SIZE	FIG. NO	FLANGE DIMENSION															
2P	4P	6P	8P			LA	M	N	P	S	T	A	AA	AB	AC	AD	AG	B	BB	C	
55	55	37	30	250M	5	22	500	450	550	18.5	5	406	85	480	498	330	310	349	425	168	
75	75	45	37	280S		22	500	450	550	18.5	5	457	110	560	528	330	310	368	465	190	
90	90	55	45	280M														419	516		
110	110	75	55	315S		25	600	550	660	24	6	508	115	615	620	370	380	406	550	216	
132	132	90	75	315M														457	610		
160	160	110	90	315L	6	25	600	550	660	24	6	508	115	615	620	370	380	508	680	216	
185	185	132	110																		
200	200	---	---																		
220	220	160	132	355M															560	700	254
250	250	200	160																		
280	280	220	185	355L	30	740	680	800	24	6	610	150	750	712	370	380					
315	315	250	200															630	770		
355	355	280	220																		

**NOTE:**

1. All dimensions are in mm.
2. Tolerance of N: 1)  $\phi 450 - \phi 680$  ;js6
3. Open type ball bearing for frame size 180M to 355L.
4. Dual eye-bolts provided for frame size 90L to 355L.
5. Data subject to change without prior notice.

# B35

## TEBY SERIES DATA

### B35 OUTLINE DIMENSION

Frame Size: 250M to 355L

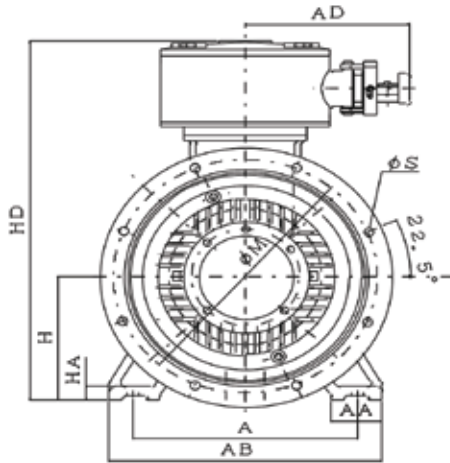


FIG. 7

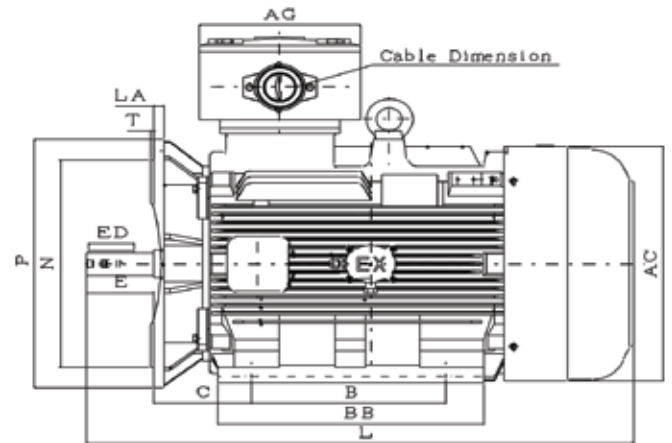
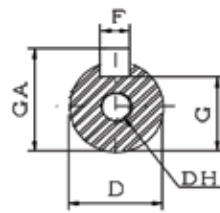


FIG. 8

FRAME SIZE	H	HA	HD	K	L	SHAFT EXTENSION						BEARING		Cable Gland Dimension	Incoming Cable Outer Diameter Range	
						D	E	ED	F	G	GA	DH	DRIVE END			OPPOSITE DRIVE END
250M	250	30	740	24	930	(60) 65	140	125	18	(53) 58	(64) 69	M20X42	(6313C3) 6315C3	(6313C3) 6313C3	rubber sheath cable or M64x2 or NPT 2.5"	ø 24~ø40
280S	280	35	780	24	990	(65) 75	140	125	(18) 20	(58) 67.5	(69) 79.5	M20X40	(6314C3) 6318C3	(6314C3) 6316C3		
280M					1050											
315S	315	35	898	28	(1173) 1203	(65) 80	(140) 170	(125) 160	(18) 22	(58) 71	(69) 85	M20X40	(6316C3) 6320C3	(6314C3) 6316C3	rubber sheath cable or M64x2 or M63x1.5 or NPT 2.5"	ø 38~ø58
315M					(1253) 1283											
315L	315	35	913	28	(1353) 1383	(65) 80	(140) 170	(125) 160	(18) 22	(58) 71	(69) 85	M20X40	(6316C3) 6320C3	(6314C3) 6316C3		
355M	355	45	1025	28	(1488) 1493	(75) 95	(140) 170	(125) 160	(20) 25	(67.5) 86	(79.5) 100	M20X40) M24X48	(6317C3) 6322C3	(6317C3) 6322C3		
355L					(1538) 1543											

**NOTE:**

- All dimensions are in mm.
- Tolerance of shaft end diameter D : 1)ø60~ ø95 :m6
- Tolerance of shaft center height H : 1) 80~250: +0, -0.5, 2) 280~355: +0, -1
- No. in ( ) is for 2Pole.
- Data subject to change without prior notice.

# TEXJ

## High Voltage Flameproof Series

### Electrical Design

Type: Squirrel Cage Induction Motor  
Ratings: 160 kW ~ 1600 kW

### Duty Rating

Continuous duty rating of S1 under rated load

### Voltages

3kV,3.3kV,4.16kV,5.5kV,6kV,6.3kV,6.6kV,10kV,10.5kV,11kV

### Frequency

50Hz

### Insulation System

All motor are design with Class F insulation and Class B Temperature Rise

### Ambient Temperature

-20°C~ + 50°C

### Type of Protection

Ex db IIB T4 Gb,Ex db II(H2) Gb

### Standards

IEC 60079-0 : 2011 Explosive atmospheres – Part 0: General requirements

IEC 60079-1 : 2014-06 Explosive atmospheres – Part 1: Equipment protection by Flameproof enclosures “d”

IEC 60034-1 Rotating electrical machines - Part 1: Rating and performance.

IEC 60034-2-1 Rotating electrical machines - Part 2-1: Standard methods for determining losses and efficiency from tests

IEC 60034-5 Rotating electrical machines - Part 5: Degrees of protection provided by the integral design of rotating electrical machines (IP code) - classification.

IEC 60034-6 Rotating electrical machines - Part 6: Methods of cooling (IC code).

IEC 60034-7 Rotating electrical machines - Part 7: Classification of types of enclosures and mounting arrangements (IM code).

IEC 60034-8 Rotating electrical machines - Part 8: Terminal markings and direction of rotation.

IEC 60034-9 Rotating electrical machines - Part 9: Noise limits.

IEC 60034-12 Rotating electrical machines - Part 12: Starting performance of single-speed three-phase cage induction motors.

IEC 60034-14 Rotating electrical machines - Part 14: Mechanical vibration of certain machines - Limits of vibration.

### Mechanical Design

Type: Squirrel Cage Induction Motor  
Frame: 355 to 500  
Enclosure: Totally Enclosed Fan Cooled (TEFC)

### Ingress Protection

Designed to meet Ingress Protection of IP55

### Drive Method

Designed for Direct Coupling

### Bearings

Vacuum De-Gassed High Quality Rolling Bearings with Regreasing Provisions

### Lubrication

Rolling Bearing :  
4Pole & Above : Lithium Base Grease (Shell Alvania RL3)  
2Pole : Mobil Polyrex EM Grease

### Construction

Frame: High Grade Cast Iron  
End Bracket: High Grade Cast Iron Except Cast Iron /Steel Plate for 2 Pole  
External Fan: Aluminum/Steel Plate Except Reinforced Plastic (Non-Sparking Material) for 2 Pole  
Fan Cover: Steel Plate  
Shaft: Carbon Steel  
Lead: Max. 3 Leads  
Iron Core: High Grade, Insulated, Cold Rolled Electro-Magnetic Steel Plate

### Terminal Box

Cast Iron , Flameproof Construction, Over Size

### Finishing

Complete with Alkyd Resin with Rust Proof Base Plus Polyurethane Surface Finished Painting Color: Blue-Gray Munsell 7.5B 3.5/0.5  
Any other colour finishing, please refer to TECO

### Standards

IEC 60072-2 Dimensions and output series for rotating electrical machines - Part 2: Frame numbers 355 to 1000 and flange numbers 1180 to 2360



**ATEX**




## Certificato di esame UE del tipo

### EU-type examination certificate

### n. ECM 18 ATEX-B C054

Rilasciato ai sensi della direttiva 2014/34/UE – Allegato III - Modulo B  
Issued according to 2014/34/EU Directive – Annex III - Module B

**Richiedente**  
**Applicant**  
Ragione Sociale  
Company Name  
Indirizzo  
Address  
Luogo di produzione  
Place of production  
Apparecchiatura  
Equipment  
Modo di protezione  
Type of protection

WUXI TECO ELECTRIC & MACHINERY CO., LTD.  
No. 9 Changjiang South Road Wuxi, Jiangsu Province, 214028 P.R. China  
No. 9 Changjiang South Road Wuxi, Jiangsu Province, 214028 P.R. China  
High-voltage flameproof three-phase induction motor; TEXI 400 series  
(Ex db IIB T4 Gb) 3kV~6.6 kV/10kV~11kV 50/60Hz  
Flameproof enclosures "d"

Questa apparecchiatura o sistema di protezione e le sue eventuali varianti accettate sono descritte nel presente Certificato e nell'allegato dello stesso.  
This equipment or protective system and its acceptable variation thereto are described in this Certificate and its Annex.  
L'ECM, Organismo Notificato n° 1282 in conformità all'art. 17 della Direttiva 2014/34/UE, del Parlamento europeo e del Consiglio del 26 febbraio 2014, certifica che questa apparecchiatura o sistema di protezione verificata secondo la procedura di cui all'allegato III, Modulo B, è conforme ai requisiti essenziali di sicurezza e salute per il progetto e la costruzione di apparecchiature e sistemi di protezione destinati ad essere utilizzati in atmosfere potenzialmente esplosive, definiti nell'allegato II della Direttiva.  
The essential health and safety requirements are assured by compliance with applied Standard: EN 60079-0, EN60079-1.  
This EU-type examination certificate relates only to the design, examination and tests specified equipment in accordance with Directive 2014/34/EU. Further requirements of the Directive shall be applied to the manufacturing process and supply condition: these requirements are not covered by this certificate.  
L'apparecchiatura o il sistema di protezione deve riportare i seguenti contrassegni:  
The equipment shall be marked with the following symbols:  
II 2G Ex db IIB T4 Gb IP55  
Tamb. -20°C~50°C

I requisiti essenziali di sicurezza e salute sono assicurati dalla rispondenza alle Norme applicate: EN 60079-0, EN60079-1.

Questo Certificato di esame UE del tipo è relativo soltanto al progetto, all'esame ed alle prove dell'apparecchiatura o sistema di protezione specificato in accordo con la Direttiva 2014/34/UE. Ulteriori requisiti di questa Direttiva si applicano al processo di produzione e fornitura dell'apparecchiatura o sistema di protezione: questi requisiti non sono oggetto del presente certificato.

L'apparecchiatura o il sistema di protezione deve riportare i seguenti contrassegni:  
The equipment shall be marked with the following symbols:  
II 2G Ex db IIB T4 Gb IP55  
Tamb. -20°C~50°C

Valsamoggia (BO)  
Data - Date 18/12/2018

Timbro

Scadenza- Expiry date 17/12/2023


Questo certificato, incluso l'allegato, può essere riprodotto solo integralmente e senza alcuna variazione.  
This certificate, annex included, can only be reproduced in its entirety and without any change.



Firma autorizzata  
Authorized signature  
Amanda Payne  
(Deputy Manager)

Pag. 1 di 2

**Ente Certificazione Macchine srl**  
Via Ca' Bella 243 – Loc. Castello di Serravalle – 40053 Valsamoggia (BO)  
☎ +39 0516705141 ☎ +39 0516705156 ✉ ecm@entecerma.it www.entecerma.it

## Allegato I / Annex I


### al Certificato di esame UE del tipo

### to EU-type-examination certificate

### n. ECM 18 ATEX-B C054

**Descrizione dell'apparecchiatura**  
**Equipment description**  
Explosion proof three-phase induction motor:  
CATEGORIA 2 – Motori a combustione interna e apparati elettrici  
CATEGORY 2 – Internal combustion engine and electrical equipment

**Rapporto di verifica e di prova**  
**Verification and test report**  
CN/CQM/EXTR18.0008/00  
IECEX CQM 18.0006X



ENTE CERTIFICAZIONE MACCHINE  
let's be your partner

Pag. 2 di 2

**Ente Certificazione Macchine srl**  
Via Ca' Bella 243 – Loc. Castello di Serravalle – 40053 Valsamoggia (BO)  
☎ +39 0516705141 ☎ +39 0516705156 ✉ ecm@entecerma.it www.entecerma.it

**IECEX**




## IECEX Certificate of Conformity

INTERNATIONAL ELECTROTECHNICAL COMMISSION  
IEC Certification Scheme for Explosive Atmospheres

Certificate No:	IECEX CQM 18.0006X	Issue No. 0	Certificate history
Status:	Current	Issue No. 0 (2018-10-18)	
Date of Issue:	2018-10-18	Page 1 of 4	
Applicant:	WUXI TECO ELECTRIC & MACHINERY CO., LTD No. 9 Changjiang South Road, Wuxi, Jiangsu, 214028 China		
Equipment (Optional accessory):	High-voltage flameproof three-phase induction motor TEXI-400 series		
Type of Protection:	Ex db or Ex d, T		
Marking:	Ex db IIB T4 Gb IP55 Tamb. -20°C ~ +50°C or Ex db (H) Gb Ex d IIC T33°C Db IP55 Tamb. -20°C ~ +60°C		
Approved for issue on behalf of the IECEx Certification Body:	A. Fanning General Manager 		
Position:			
Signature (for printed version):			
Date:	2018.10.18		

1. This certificate and schedule may only be reproduced in full.  
2. This certificate is not transferable and remains the property of the issuing body.  
3. The status and authenticity of this certificate may be verified by visiting the official IECEx website.

Certificate issued by:  
China Quality Mark Certification Group Co., Ltd.  
No. 33 Zengqiang Road, Haidian District,  
Beijing City, Postal code: 100048  
China  





## IECEX Certificate of Conformity

Certificate No:	IECEX CQM 18.0006X	Issue No. 0
Date of Issue:	2018-10-18	Page 2 of 4
Manufacturer:	WUXI TECO ELECTRIC & MACHINERY CO., LTD No. 9 Changjiang South Road, Wuxi, Jiangsu, 214028 China	
Additional Manufacturing Information:		
This certificate is issued as verification that a sample(s), representative of production, was assessed and tested and found to comply with the IEC Standard set below and that the manufacturer's quality system, relating to the Ex products covered by this certificate, was assessed and found to comply with the IECEx Quality system requirements. This certificate is granted subject to the conditions set out in IECEx Scheme Rules, IECEx Q2 and Operational Documents as annexed.		
<b>STANDARDS:</b> The apparatus and any acceptable variations to it specified in the schedule of this certificate and the certified documents, was found to comply with the following standards:		
IEC 60079-0: 2011 Edition 3.0	Explosion atmospheres - Part 0: General requirements	
IEC 60079-1: 2014-08 Edition 7.0	Explosion atmospheres - Part 1: Equipment protection by flameproof enclosures "d"	
IEC 60079-21: 2013 Edition 2	Explosion atmospheres - Part 21: Equipment that utilizes protection by enclosure "T"	
This Certificate does not indicate compliance with electrical safety and performance requirements other than those expressly included in the Standards listed above.		
<b>TEST &amp; ASSESSMENT REPORTS:</b> A sample(s) of the equipment listed has successfully met the examination and test requirements as recorded in:		
Test Report	CN/CQM/EXTR18.0008/00	
Quality Assessment Report	IECEX/SG/14.001-103	

# TEXJ SERIES DATA

## PERFORMANCE DATA-6.6kV (2 POLE)

OUTPUT		FULL LOAD rpm	FRAME No.	EFFICIENCY			POWER FACTOR			CURRENT		TORQUE			ROTOR GD <sup>2</sup> kg-m <sup>2</sup>	APPROX. WEIGHT kg
kW	HP			FULL LOAD (%)	3/4 LOAD (%)	1/2 LOAD (%)	FULL LOAD (%)	3/4 LOAD (%)	1/2 LOAD (%)	FULL LOAD (A)	LOCKED ROTOR (%)	FULL LOAD kg-m	LOCKED ROTOR %FLT	BREAK-DOWN %FLT		
160	215	2984	355	94.6	94.3	93.4	84.4	81.5	74.0	18	690	52.23	80	200	25.00	2510
185	250	2984	355	94.7	94.5	93.5	84.5	81.5	74.1	20	690	60.39	80	200	25.50	2550
200	270	2984	355	94.8	94.5	93.5	84.6	81.6	74.2	22	690	65.28	80	200	26.00	2600
220	300	2984	355	94.9	94.6	93.6	84.7	81.7	74.2	24	690	71.81	80	200	26.40	2640
250	335	2984	355	95.0	94.7	93.7	84.8	81.8	74.3	27	690	81.60	70	200	26.80	2680
280	375	2984	355	95.1	94.8	93.8	84.9	81.9	74.4	30	690	91.39	70	200	27.10	2730
315	420	2984	355	95.2	94.9	93.9	85.0	82.0	74.6	34	690	102.8	70	210	27.50	2760
355	475	2984	355	95.3	95.0	94.0	85.1	82.1	74.7	38	685	115.9	70	210	28.00	2800
400	535	2984	355	95.4	95.1	94.1	85.2	82.2	74.8	43	684	130.6	80	210	28.20	2860
425	570	2984	355	95.5	95.2	94.3	85.7	83.0	76.1	45	640	138.7	80	210	29.90	2930
450	600	2984	355	95.6	95.3	94.4	85.6	82.7	75.6	48	661	146.9	80	210	31.10	2980
500	670	2984	355	95.8	95.5	94.7	85.4	82.2	74.6	53	690	163.2	80	220	33.90	3110
510	680	2987	400	95.8	95.4	94.3	85.2	82.1	74.3	55	648	166.3	70	210	34.20	3790
540	720	2987	400	95.8	95.4	94.4	85.5	82.5	75.0	58	654	176.1	70	220	36.10	3880
560	750	2987	400	95.9	95.6	94.6	85.6	82.9	75.8	60	640	182.6	70	210	36.10	3880
630	845	2986	400	96.0	95.7	94.9	85.7	83.0	75.8	67	638	205.5	70	210	38.80	3990
670	900	2987	400	96.0	95.7	94.9	86.0	83.4	76.5	71	653	218.5	70	210	41.40	4130
710	950	2987	400	96.1	95.8	95.1	86.2	83.4	76.5	75	667	231.5	70	220	41.40	4220
750	1000	2987	400	96.2	95.9	95.2	86.6	84.2	77.7	79	658	244.6	70	220	46.00	4350
800	1070	2987	450	96.3	96.0	95.3	86.8	83.0	75.3	84	729	260.9	70	230	64.20	4980
830	1110	2987	450	96.3	96.0	95.3	87.0	83.4	76.1	87	713	270.6	70	230	64.20	4980
900	1200	2987	450	96.4	96.1	95.5	86.9	83.0	75.3	94	745	293.5	70	230	69.50	5150
1000	1340	2987	450	96.5	96.3	95.7	88.1	85.0	78.5	103	715	326.1	70	230	74.90	5340
1050	1410	2987	450	96.5	96.3	95.7	88.0	84.8	78.1	108	740	342.4	70	230	78.10	5460

**NOTE:**

1. The above are typical values based on test according to IEC 60034
2. Tolerance according to IEC 60034-1.
3. Breakdown & Locked rotor torques are show as average expected voltages.
4. Efficiency, power factor, speed and torque are the same for other voltages.  
Current values vary inversely with voltage.
5. Data subject to change without prior notice.

# TEXJ SERIES DATA

## PERFORMANCE DATA-6.6kV (4 POLE)

OUTPUT		FULL LOAD rpm	FRAME No.	EFFICIENCY			POWER FACTOR			CURRENT		TORQUE			ROTOR GD <sup>2</sup> kg-m <sup>2</sup>	APPROX. WEIGHT kg
kW	HP			FULL LOAD (%)	3/4 LOAD (%)	1/2 LOAD (%)	FULL LOAD (%)	3/4 LOAD (%)	1/2 LOAD (%)	FULL LOAD (A)	LOCKED ROTOR (%)	FULL LOAD kg-m	LOCKED ROTOR %FLT	BREAK-DOWN %FLT		
160	215	1486	355	94.6	94.3	93.4	83.4	79.5	70.3	18	680	104.9	80	200	21.50	2350
185	250	1486	355	94.7	94.5	93.5	83.5	79.6	70.5	20	680	121.3	80	200	24.00	2400
200	270	1486	355	94.8	94.5	93.5	83.6	79.6	70.5	22	680	131.1	80	200	26.00	2470
220	300	1488	355	94.9	94.6	93.6	83.7	79.7	70.6	24	685	144.0	80	200	28.50	2550
250	335	1488	355	95.0	94.7	93.7	83.8	79.8	70.7	27	685	163.6	80	200	30.00	2600
280	375	1488	355	95.1	94.8	93.8	83.9	79.8	70.8	31	680	183.3	80	200	32.50	2680
315	420	1488	355	95.2	94.9	93.9	84.0	79.9	70.9	34	680	206.2	80	210	35.00	2740
355	475	1488	355	95.3	95.0	94.0	84.0	80.0	71.0	39	685	232.4	80	210	38.60	2780
400	535	1488	355	95.3	95.1	94.3	84.1	80.1	71.0	44	624	261.8	80	210	41.10	2840
425	570	1488	355	95.4	95.2	94.5	84.5	80.8	72.2	46	611	278.2	80	210	43.40	2920
450	600	1489	355	95.4	95.2	94.5	83.9	79.9	70.6	49	647	294.4	90	230	47.40	3050
500	670	1489	355	95.5	95.4	94.7	83.8	79.7	70.3	55	648	327.1	90	230	50.50	3120
510	680	1489	355	95.6	95.5	94.8	83.9	80.0	70.8	56	637	333.6	90	230	50.50	3120
540	720	1489	355	95.7	95.6	95.0	85.0	81.6	73.2	58	626	353.2	90	220	55.30	3270
560	750	1489	355	95.8	95.7	95.1	84.2	80.4	71.4	61	644	366.3	90	230	55.30	3280
630	845	1490	400	96.0	95.8	95.2	82.6	78.7	69.4	69	628	411.8	80	210	81.00	4120
670	900	1490	400	96.1	96.0	95.4	82.7	78.9	69.8	74	628	438.0	80	210	83.40	4210
710	950	1490	400	96.2	96.1	95.5	82.6	78.6	69.2	78	651	464.1	90	220	89.40	4340
750	1000	1490	400	96.2	96.1	95.5	82.8	78.9	69.7	82	640	490.3	90	220	93.00	4440
800	1070	1490	450	96.2	96.0	95.4	83.4	80.4	72.3	87	594	523.0	80	200	156.9	5090
830	1110	1490	450	96.2	96.1	95.5	83.7	80.7	72.9	90	594	542.6	80	200	164.0	5240
900	1200	1490	450	96.3	96.1	95.6	83.3	79.7	71.4	98	639	588.3	90	210	180.4	5500
1000	1340	1490	450	96.4	96.3	95.7	83.6	80.4	72.4	109	637	653.7	90	210	196.7	5780
1050	1410	1490	450	96.4	96.3	95.8	83.8	80.6	72.8	114	639	686.4	90	210	206.1	5940
1120	1500	1492	500	96.5	96.1	95.2	81.8	77.5	67.7	124	623	731.2	70	230	209.2	6640
1250	1675	1492	500	96.6	96.3	95.4	82.5	78.5	69.2	137	630	816.0	70	230	233.4	7050
1400	1875	1492	500	96.7	96.4	95.6	82.9	78.9	69.8	153	648	913.9	70	230	260.7	7510
1600	2145	1492	500	96.8	96.5	95.8	82.8	78.8	69.5	175	661	1045	70	230	291.0	8060

**NOTE:**

1. The above are typical values based on test according to IEC 60034
2. Tolerance according to IEC 60034-1.
3. Breakdown & Locked rotor torques are show as average expected voltages.
4. Efficiency, power factor, speed and torque are the same for other voltages.  
Current values vary inversely with voltage.
5. Data subject to change without prior notice.

# TEXJ SERIES DATA

## PERFORMANCE DATA-6.6kV (6 POLE)

OUTPUT		FULL LOAD rpm	FRAME No.	EFFICIENCY			POWER FACTOR			CURRENT		TORQUE			ROTOR GD <sup>2</sup> kg-m <sup>2</sup>	APPROX. WEIGHT kg
kW	HP			FULL LOAD (%)	3/4 LOAD (%)	1/2 LOAD (%)	FULL LOAD (%)	3/4 LOAD (%)	1/2 LOAD (%)	FULL LOAD (A)	LOCKED ROTOR (%)	FULL LOAD kg-m	LOCKED ROTOR %FLT	BREAK-DOWN %FLT		
160	215	990	355	94.4	93.8	92.7	72.2	64.9	52.8	21	630	157.4	90	230	31.50	2730
185	250	990	355	94.5	94.0	92.8	72.8	65.5	53.2	24	630	182.0	90	230	37.00	2760
200	270	990	355	94.6	94.1	93.0	73.0	66.0	53.7	25	630	196.8	90	230	42.00	2800
220	300	991	355	94.7	94.2	93.1	73.9	66.8	54.3	28	630	216.2	90	230	48.00	2850
250	335	991	355	94.8	94.3	93.3	74.5	67.2	54.8	31	620	245.7	90	230	53.00	2900
280	375	991	355	94.9	94.5	93.4	75.7	68.2	55.1	34	605	275.2	110	230	56.20	2960
300	400	991	355	95.0	94.7	93.6	76.5	69.3	55.8	36	609	294.9	110	230	59.30	3030
315	420	991	355	95.1	94.8	93.9	77.2	70.5	58.1	38	618	309.6	100	230	59.30	3030
355	475	991	355	95.3	95.1	94.2	78.4	72.1	60.1	42	627	348.9	100	230	66.50	3190
400	535	991	355	95.3	95.1	94.3	78.7	72.6	60.2	47	632	393.1	100	230	74.60	3400
425	570	991	355	95.5	95.3	94.5	77.6	71.0	58.1	50	627	417.7	100	230	77.70	3450
450	600	991	400	95.6	95.4	94.7	81.5	75.7	64.5	51	655	442.3	85	230	102.1	4040
500	670	991	400	95.8	95.7	95.0	82.5	77.0	66.4	55	667	491.4	80	230	108.4	4130
510	680	991	400	95.8	95.7	95.1	82.7	77.4	67.0	56	670	501.3	80	230	108.4	4130
540	720	991	400	95.8	95.7	95.0	81.9	76.3	65.2	60	664	530.7	85	230	118.0	4300
560	750	991	400	95.9	95.8	95.2	82.5	76.9	66.2	62	668	550.4	80	230	118.0	4300
630	845	991	400	96.0	95.9	95.4	82.6	77.3	66.7	70	669	619.2	90	230	137.1	4660
670	900	992	450	96.1	95.8	95.0	84.5	79.9	69.8	72	743	657.8	90	230	234.4	5300
710	950	992	450	96.2	95.9	95.1	85.2	81.0	71.7	76	720	697.1	90	230	249.8	5510
750	1000	992	450	96.2	96.0	95.2	85.7	81.9	73.0	80	708	736.4	80	230	265.3	5700
800	1070	992	450	96.2	96.0	95.3	85.8	82.3	74.1	85	686	785.5	80	230	280.7	5920
900	1200	993	500	96.3	96.0	95.3	82.9	78.6	69.0	99	608	882.8	80	230	296.7	6820
1000	1340	993	500	96.4	96.2	95.4	82.9	78.6	68.8	109	623	980.9	85	230	332.3	7300
1120	1500	993	500	96.5	96.3	95.6	83.0	78.6	68.7	122	647	1099	90	230	379.7	7840
1250	1675	993	500	96.6	96.4	95.9	84.1	80.7	72.3	135	588	1226	80	210	415.3	8290

### NOTE:

1. The above are typical values based on test according to IEC 60034
2. Tolerance according to IEC 60034-1.
3. Breakdown & Locked rotor torques are show as average expected voltages.
4. Efficiency, power factor, speed and torque are the same for other voltages.  
Current values vary inversely with voltage.
5. Data subject to change without prior notice.

# TEXJ SERIES DATA

## PERFORMANCE DATA-6.6kV (8 POLE)

OUTPUT		FULL LOAD rpm	FRAME No.	EFFICIENCY			POWER FACTOR			CURRENT		TORQUE			ROTOR GD <sup>2</sup> kg-m <sup>2</sup>	APPROX. WEIGHT kg
kW	HP			FULL LOAD (%)	3/4 LOAD (%)	1/2 LOAD (%)	FULL LOAD (%)	3/4 LOAD (%)	1/2 LOAD (%)	FULL LOAD (A)	LOCKED ROTOR (%)	FULL LOAD kg-m	LOCKED ROTOR %FLT	BREAK-DOWN %FLT		
160	215	741	355	94.2	93.8	92.7	72.2	64.9	52.8	21	600	210.3	90	210	37.70	2630
185	250	741	355	94.3	94.0	92.8	72.8	65.5	53.2	24	600	243.2	90	210	44.10	2770
200	270	741	355	94.4	94.1	93.0	73.0	66.0	53.2	25	600	262.9	90	210	51.20	2900
220	300	741	355	94.5	94.4	93.6	73.8	66.7	53.5	28	586	289.2	95	210	58.40	3050
250	335	741	355	94.6	94.5	93.8	74.1	67.1	54.0	31	588	328.6	95	210	65.60	3190
280	375	741	355	94.8	94.7	94.1	75.3	69.0	56.6	34	601	368.0	90	200	72.70	3310
300	400	741	355	94.8	94.7	94.1	74.0	67.0	54.0	37	588	394.3	100	210	77.90	3450
315	420	742	400	94.9	94.6	93.5	72.0	63.9	50.4	40	575	413.5	75	230	94.20	3830
355	475	742	400	95.0	94.7	93.8	72.2	64.2	50.8	45	578	466.0	75	230	103.8	4000
400	535	742	400	95.2	95.0	94.1	72.7	64.8	51.5	51	582	525.1	75	230	116.6	4200
425	570	742	400	95.2	95.0	94.1	72.2	64.2	50.8	54	582	557.9	75	230	123.0	4340
450	600	742	400	95.3	95.1	94.2	72.7	64.7	51.3	57	582	590.7	75	230	132.6	4490
500	670	742	400	95.6	95.4	94.7	72.8	64.9	51.6	63	587	656.3	75	230	140.6	4650
510	680	743	450	95.6	95.3	94.5	76.1	68.9	55.6	61	610	668.6	80	230	225.2	5230
540	720	743	450	95.6	95.4	94.6	76.9	70.2	57.2	64	623	707.9	80	230	237.5	5400
560	750	743	450	95.7	95.5	94.7	76.4	69.5	56.2	67	618	734.1	80	230	246.8	5530
630	845	743	450	95.8	95.6	95.0	77.8	71.5	58.9	74	630	825.9	75	230	277.6	5890
670	900	743	450	95.8	95.5	95.0	78.5	72.5	60.3	78	606	878.3	75	230	296.1	6120
710	950	744	500	95.9	95.5	94.4	77.9	72.1	60.3	83	580	929.5	70	220	318.6	6940
800	1070	744	500	96.0	95.6	94.6	78.4	72.8	61.2	93	547	1047	65	210	354.4	7390
900	1200	744	500	96.1	95.8	94.9	78.6	73.2	61.7	104	550	1178	65	210	398.2	7930

**NOTE:**

1. The above are typical values based on test according to IEC 60034
2. Tolerance according to IEC 60034-1.
3. Breakdown & Locked rotor torques are show as average expected voltages.
4. Efficiency, power factor, speed and torque are the same for other voltages.  
Current values vary inversely with voltage.
5. Data subject to change without prior notice.

# TEXJ SERIES DATA

## B3 OUTLINE DIMENSION-6.6kV

# B3

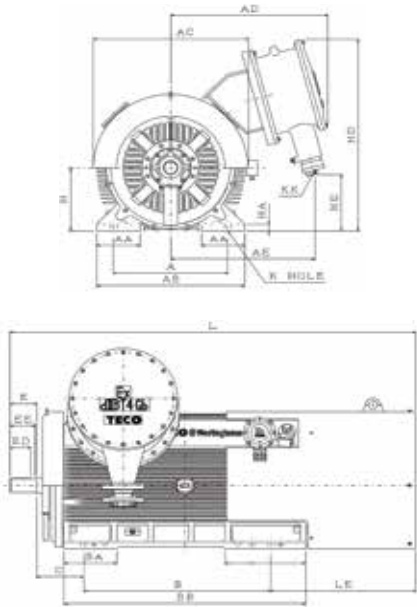


FIG. 1

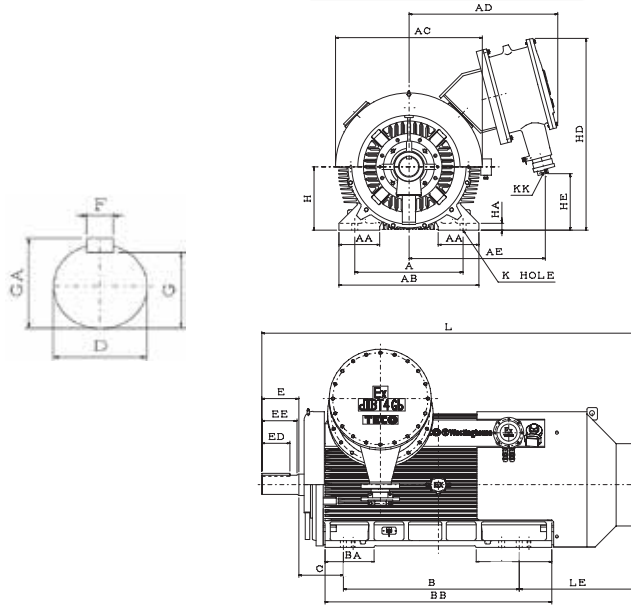


FIG. 2

Output (kW)				FRAME SIZE	FIG. NO	A	AA	AB	AC	AD	AE	B	BA	BB	C
2P	4P	6P	8P												
160,185,200, 220,250,280, 315,355,400, 425,450,500	---	---	---	355DA-70R	1	610	230	790	816	840	770	1000	280	1290	254
510,540,560, 630,670,710, 750	---	---	---	400DA-85R		686	250	890	880	865	795	1120	300	1410	280
800,830,900, 1000,1050	---	---	---	450DA-85R		750	260	990	970	905	830	1250	315	1550	315
---	160,185,200, 220,250,280, 315,355,400, 425,450,500, 510,540,560	160,185,200, 220,250,280, 300,315,355, 400,425	160,185,200, 220,250,280, 300	355DB-110R	2	610	230	790	816	840	770	1000	280	1290	254
---	630,670,710, 750	450,500,510, 540,560,630	315,355,400, 425,450,500	400DB-125R		686	250	890	880	865	795	1120	300	1410	280
---	800,830,900, 1000,1050	670,710,750, 800	510,540,560, 630,670	450DB-140R	3	750	260	990	970	905	830	1250	315	1550	315
---	1120,1250,1400, 1600	900,1000,1120, 1250	710,800,900	500DB-160R	4	850	300	1080	1105	950	880	1400	360	1750	335

**NOTE:**

1. All dimensions are in mm.
2. Tolerance of shaft end diameter D : 1)  $\phi 70 \sim \phi 160$  : m6
3. Tolerance of shaft center height H : 1) 355~500 : +0, -1
4. Usable Shaft Length : EE
5. Data subject to change without prior notice.

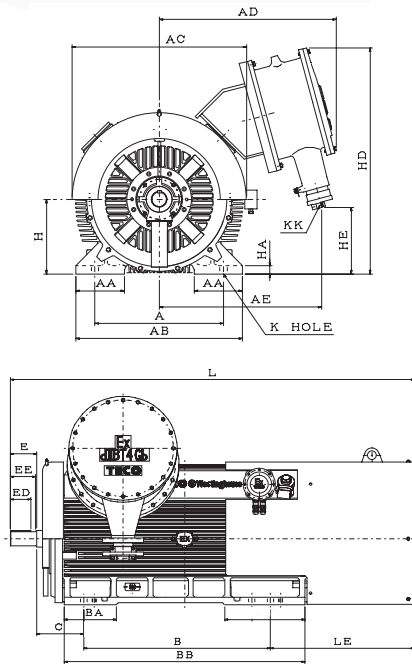


FIG. 3

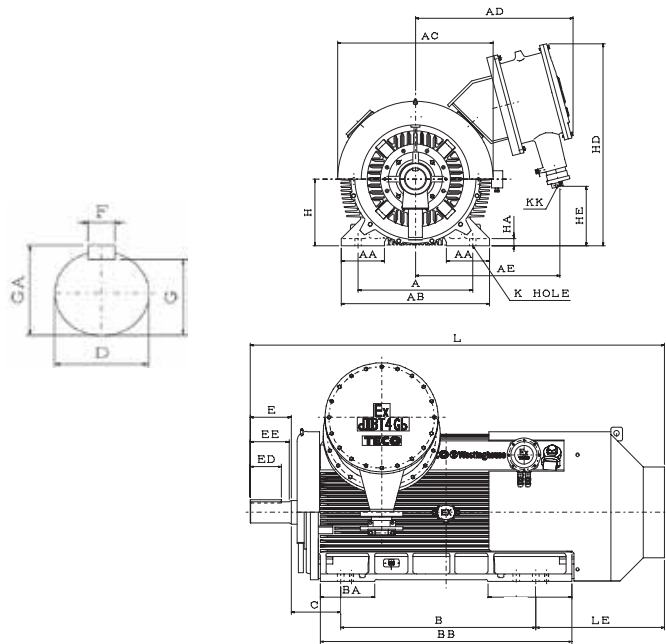


FIG. 4

FRAME SIZE	H	HA	HD	HE	K	L	LE	KK	SHAFT EXTENSION							BEARING	
									D	E	ED	EE	F	G	GA	DRIVE END	OPPOSITE DRIVE END
355DA-70R	355	40	1080	315	28	2165	770	Note 4	70	140	110	134	20	62.5	74.5	6218C3	6315C3
400DA-85R	400	40	1150	385	35	2340	770	Note 5	85	170	140	165	22	76	90	6218C3	6218C3
450DA-85R	450	50	1235	470	35	2555	820	Note 5	85	170	140	164	22	76	90	6220C3	6220C3
355DB-110R	355	40	1080	315	28	2125	660	Note 4	110	210	160	200	28	100	116	6224	6220
400DB-125R	400	40	1150	385	35	2280	670	Note 5	125	210	160	202	32	114	132	6226	6222
450DB-140R	450	50	1235	470	35	2480	665	Note 5	140	250	200	240	36	128	148	6230	6226
500DB-160R	500	50	1335	570	35	2690	655	Note 5	160	300	250	290	40	147	169	6334	6330

**NOTE:**

1. All dimensions are in mm.
2. Tolerance of shaft end diameter D : 1)  $\phi 70 \sim \phi 160$  : m6
3. Tolerance of shaft center height H : 1) 355~500 : +0, -1
4. Usable Shaft Length : EE
5. M75x1.5 or NPT 3" , Cable Outer Diameter not to exceed 63mm when rubber sheathed is used.
6. M90x2 or NPT 3.5" , Cable Outer Diameter not to exceed 63mm when rubber sheathed is used.
7. Data subject to change without prior notice.

**TECO Electric & Machinery Pte Ltd**

47 Tuas Ave 9,  
Singapore 639190

Tel: +65 6265 4622 (General)  
Tel: +65 6263 9269 (Local Sales)  
Tel: +65 6263 9278 (Export Sales)

Fax: +65 6268 8651 (General)  
Fax: +65 6265 7354 (Local Sales)  
Fax: +65 6265 7354 (Export Sales)

Website: [www.teco.com.sg](http://www.teco.com.sg)  
Email: [ds@teco.com.sg](mailto:ds@teco.com.sg) (Local Sales)  
Email: [es@teco.com.sg](mailto:es@teco.com.sg) (Export Sales)

**TECO ELECTRIC & MACHINERY SDN BHD (MALAYSIA HQ)****TYM Electric & Machinery Sdn Bhd**

PLO 52 (No.26), Jalan Firma 2/1,  
Kawasan Perindustrian Tebrau 1,  
81100 Johor Bahru, Johor,  
Malaysia

Contact Person: Mr Y.S.Liew

Tel: (60) 7-3548008  
Fax: (60) 7-3546107, (60) 7-3545017  
Email: [sales@teco.com.my](mailto:sales@teco.com.my)

**TECO ELECTRIC & MACHINERY  
(THAI) CO., LTD**

128/1 Soi Watsrivareenoi, Moo 7,  
Bangna Trad Road, Km. 18,  
Bangchalong, Bangplee,  
Samuthprakarn 10540  
Thailand

Contact Person: Mr Pisut Sae Chong

Tel: (662) 3371311 ~ 20  
Fax: (662) 3371630 ~ 1  
Email: [sales@teco.co.th](mailto:sales@teco.co.th)

**TECO (VIETNAM)  
ELECTRIC & MACHINERY CO., LTD**

Long Thanh Industrial Zone  
Long Thanh Distric, Dong Nai Province  
Vietnam

Contact Person: Mr Hang Quang Dung

Tel: (84) 61-3514 108  
Fax: (84) 61-3514 110  
Email: [sales@teco.com.vn](mailto:sales@teco.com.vn)

**PT.TECO MULTIGUNA ELEKTRO  
(INDONESIA)**

Jl Bandengan Utara No.83/1-2-3  
Jakarta 14440  
Indonesia

Contact Person: Mr Abraham Anggara

Tel: (62-21) 6622201  
Fax: (62-21) 6697029  
Email: [marketing@teco.id](mailto:marketing@teco.id)

**TECO INDUSTRIAL SYSTEM PVT  
LTD (INDIA)**

No. 351 F.I.E.  
Patpar Ganj Industrial Area  
Delhi 110092  
India

Contact Person: Mr. Suvek Kumar

Tel: (91) 11 22158705  
Mobile: (91) 9540033881  
Email: [suvek@teco.co.in](mailto:suvek@teco.co.in)

The logo for TECO, featuring the word "TECO" in a bold, blue, sans-serif font. To the right of the text is a circular icon composed of several curved, overlapping segments in shades of blue and orange, creating a stylized, dynamic shape.