



**EBARA**

**EBARA End Suction  
Volute Pump  
GS SERIES**



*Japanese Technology*

*Ahead > Beyond*

## APPLICATIONS

- Air conditioning, district heating & cooling
- Plumbing services
- Fire-fighting pump
- General water-supply
- Irrigation & drainage
- Swimming pool
- Boosting purpose

## FEATURES

### • ENERGY-SAVING DESIGN

- World top class pump efficiency achieved.
- Major improvement over our previous models by hydro parts designed using our proprietary 3D inverse design technology.
- Higher efficiency means lower energy consumption and motor output, and more compact size.

### • SIMPLE MAINTENANCE

- Back pull-out structure enables disassembly and inspection without removal of suction and discharge piping.
- Shield bearings eliminate need for adding or exchanging lubricating oil.
- Shaft seal water injection piping not required for the standard application.
- Air-breathing not required.
- Simplified bearings and shaft seal enable easy assembly.

### • PUMP SPECIFICATIONS

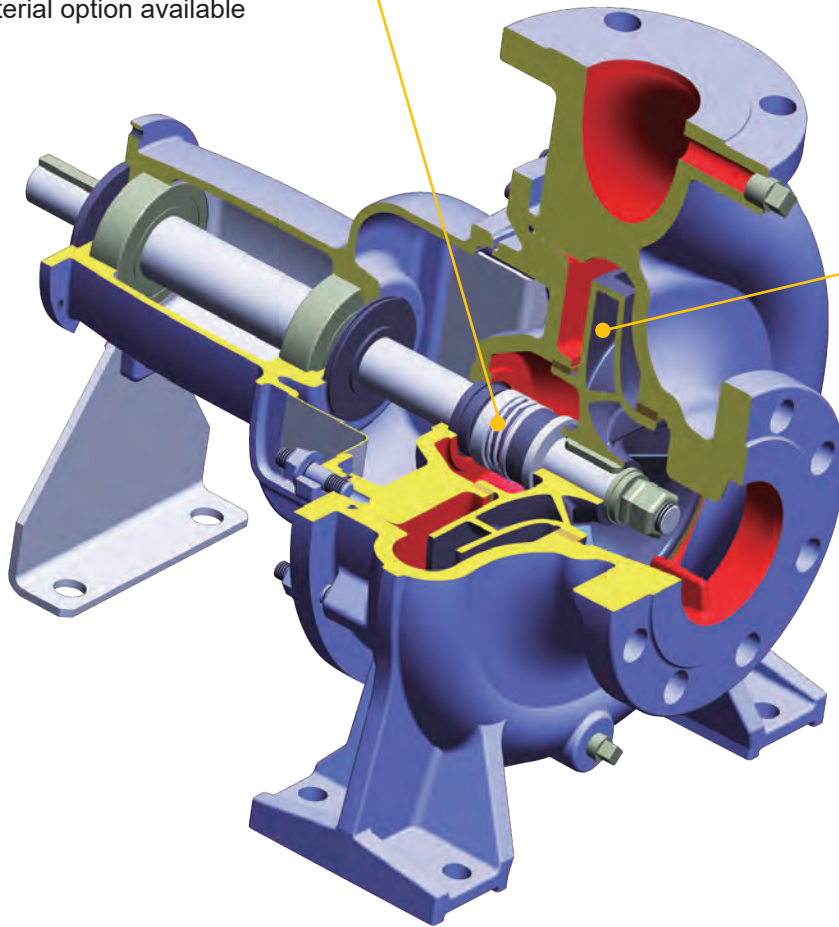
- Maximum operating pressure: 25 bar
- Liquid temperature range expansion: -25°C to 140°C
- Compatible with multiple flange standards.
- Able to meet customer specifications with many combinations of shaft seals and materials.

### • INTERNATIONAL STANDARDS

- Pump dimensions adopt EN733
- Mechanical seal adopts EN12756
- Bearing cover plate fitted in accordance with EN294.



**Mechanical seal**  
 Complied with EN 12756\*2  
 Various material option available



**New hydraulic design**  
 Erp\*3 directive complied  
 MEI 0.4≤

## NEW HYDRAULIC DESIGN

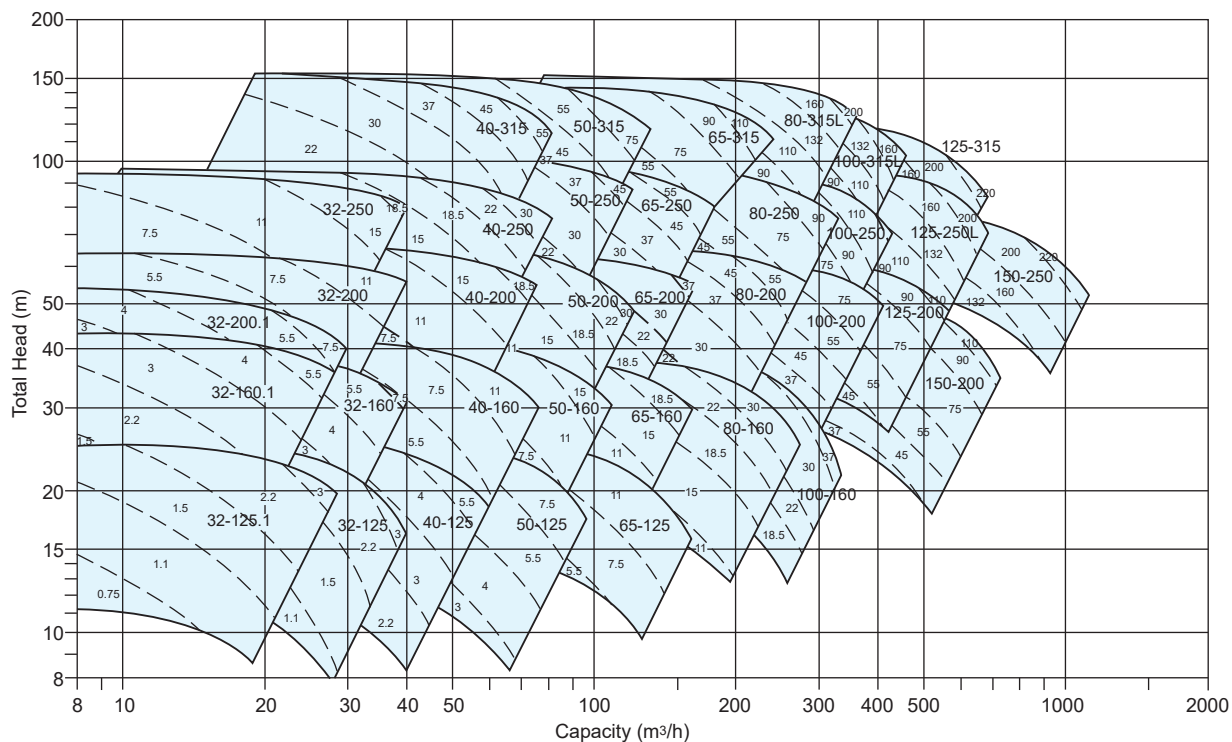
- The hydraulic components are designed with 3D inverse design technology to optimize performance.
- The performances of entire GS series are satisfied MEI 0.4 requirements on the ErP directive.  
 Further 34 of 35 models for 2 pole and 33 of 44 models for 4 pole are achieved MEI 0.6 requirements which are superior grade than MEI 0.4. (MEI : Minimum Efficiency Index)

Model	MEI	2 pole			4 pole		
		≥0.4	≥0.6	≥0.7	≥0.4	≥0.6	≥0.7
GS (Ebara)	Achieved / Total model	35/35	34/35	25/35	44/44	33/44	21/44
	Percentage	100%	97%	71%	100%	75%	48%

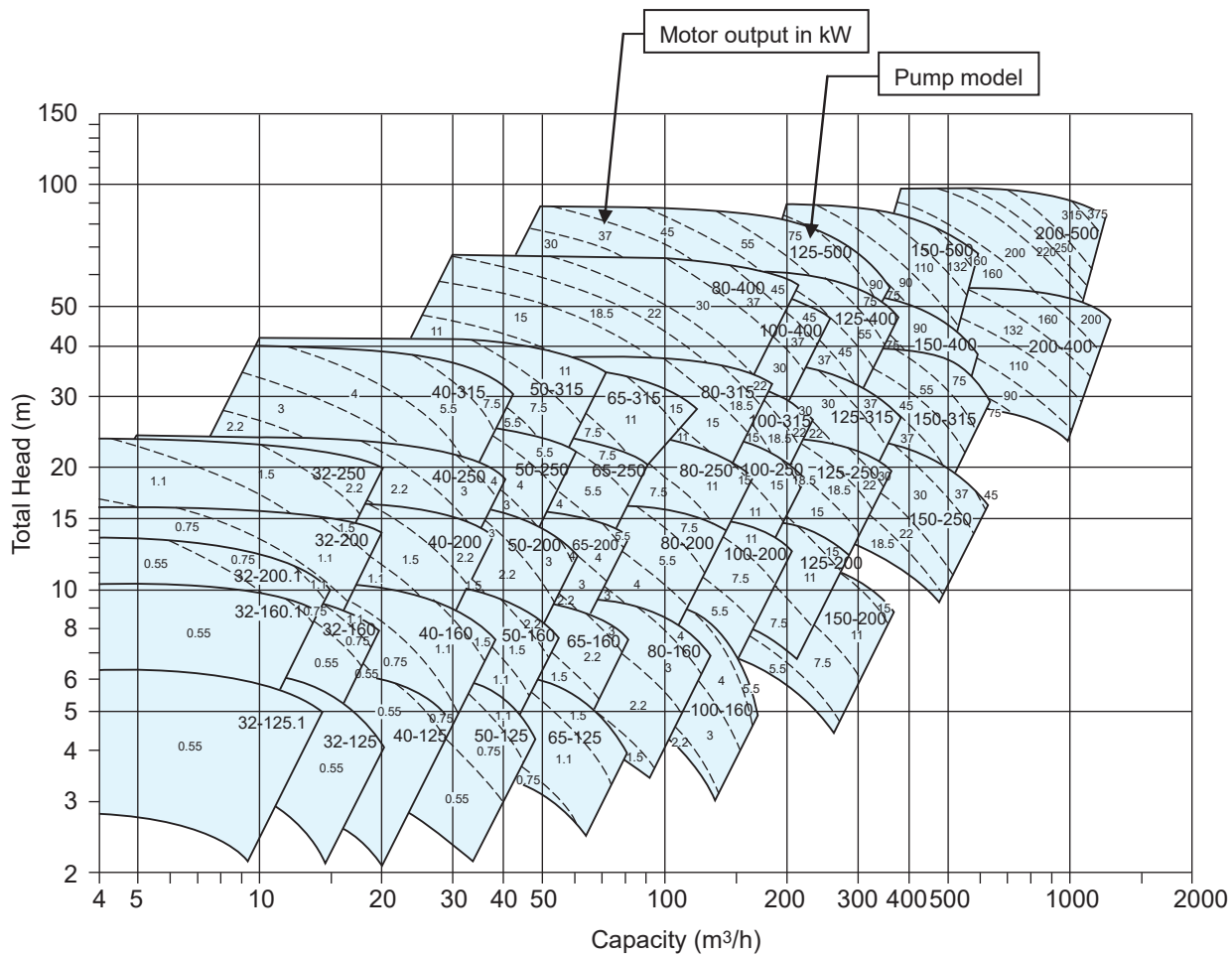
EN733\*1 : End-suction centrifugal pumps, rating with 10 bar with bearing bracket – Nominal duty point, main dimensions, designation system  
 EN 12756\*2 : Mechanical seals. Principal dimensions, designation and material codes  
 ErP\*3 : Eco-design requirements of Energy-related Products

## PERFORMANCE CHART

2 Pole

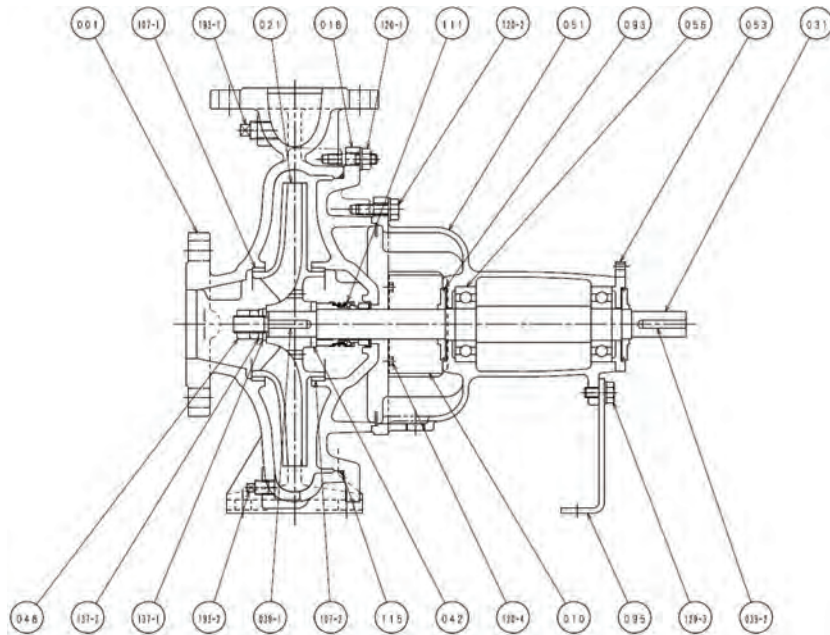


4 Pole



## SECTIONAL VIEW

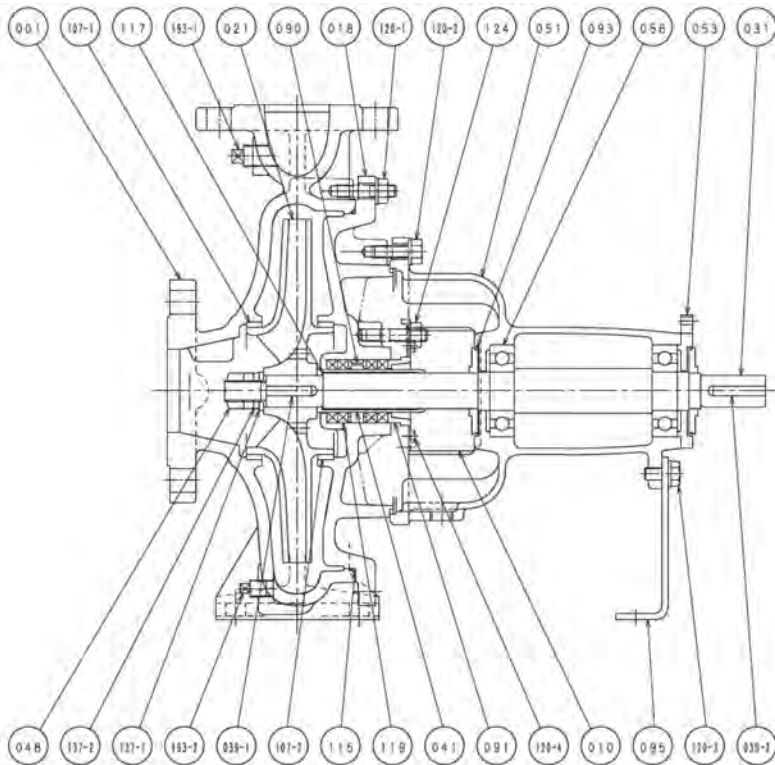
### Mechanical Seal Type



No.	Part name	Qty
001	Casing	1
010	Protector	2
018	Casing Cover	1
021	Impeller	1
031	Shaft	1
039-1	Key	1
039-2	Key	1
042	Spacer	1
048	Impeller Nut	1
051	Bearing Housing	1
053	Bearing Cover	1
056	Ball Bearing	2
093	Deflector	2

No.	Part name	Qty
095	Stay	1
107-1	Case Wearing	1
107-2	Case Wearing	1
111	Mechanical Seal	1
115	O-ring	1
120-1	Bolt	-
120-2	Bolt	6
120-3	Bolt	1
120-4	Bolt	4
137-1	Plain Washer	1
137-2	Spring Lock Washer	1
193-1	Plug	1
193-2	Plug	1

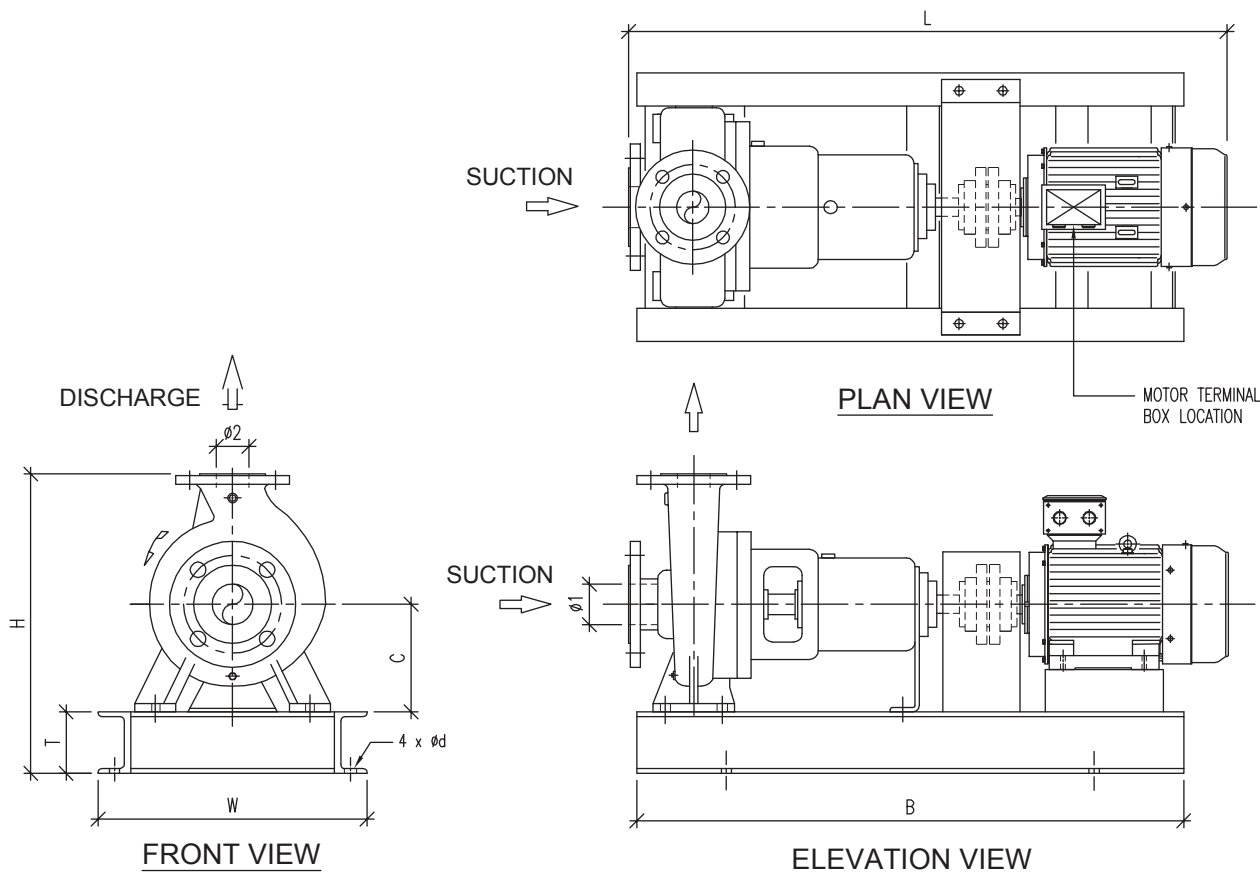
### Typical Gland Packing



No.	Part name	Qty
001	Casing	1
010	Protector	2
018	Casing Cover	1
021	Impeller	1
031	Shaft	1
039-1	Key	1
039-2	Key	1
041	Shaft Sleeve	1
048	Impeller Nut	1
051	Bearing Housing	1
053	Bearing Cover	1
056	Ball Bearing	2
090	Lantern Ring	1
091	Gland	1
093	Deflector	2

No.	Part name	Qty
095	Stay	1
107-1	Case Wear Ring	1
107-2	Case Wear Ring	1
115	O-ring	1
117	Gasket	1
119	Gland Packing	4
120-1	Bolt	-
120-2	Bolt	6
120-3	Bolt	1
120-4	Bolt	4
124	Gland Bolt	2
137-1	Plain Washer	1
137-2	Spring Lock Washer	1
193-1	Plug	1
193-2	Plug	1

## DIMENSIONS - 2 POLE



Model	Motor Kw	Size (mm)		Dimension (mm)						Base		Weight (kg) Total
		$\Phi 1$	$\Phi 2$	H	T	W	L	B	C	n	$\Phi d$	
GS32-125.1	0.75	50	32	327	75	350	736	672	112	4	16	51
GS32-125.1	1.1	50	32	327	75	350	736	672	112	4	16	53
GS32-125.1	1.5	50	32	327	75	350	787.5	700	112	4	16	59
GS32-125.1	2.2	50	32	327	75	350	812.5	737	112	4	16	63
GS32-125.1	3	50	32	327	75	350	835	750	112	4	16	75
GS32-160.1	1.5	50	32	367	75	350	787.5	700	132	4	16	60
GS32-160.1	2.2	50	32	367	75	350	812.5	737	132	4	16	64
GS32-160.1	3	50	32	367	75	350	835	750	132	4	16	76
GS32-160.1	3.7	50	32	367	75	350	855.5	760	132	4	16	88
GS32-160.1	4	50	32	367	75	350	855.5	760	132	4	16	88
GS32-160.1	5.5	50	32	392	100	400	909	800	132	4	19	104
GS32-200.1	3	50	32	415	75	350	835	750	160	4	16	88
GS32-200.1	3.7	50	32	415	75	350	855.5	760	160	4	16	99
GS32-200.1	4	50	32	415	75	350	855.5	760	160	4	16	99
GS32-200.1	5.5	50	32	440	100	400	909	800	160	4	19	115
GS32-200.1	7.5	50	32	440	100	400	909	800	160	4	19	120
GS32-125	0.75	50	32	327	75	350	736	672	112	4	16	51
GS32-125	1.1	50	32	327	75	350	736	672	112	4	16	53
GS32-125	1.5	50	32	327	75	350	787.5	700	112	4	16	59
GS32-125	2.2	50	32	327	75	350	812.5	737	112	4	16	63
GS32-125	3	50	32	327	75	350	835	750	112	4	16	75
GS32-125	3.7	50	32	327	75	350	855.5	760	112	4	16	87
GS32-125	4	50	32	327	75	350	855.5	760	112	4	16	86.8
GS32-160	2.2	50	32	367	75	350	812.5	737	132	4	16	64
GS32-160	3	50	32	367	75	350	835	750	132	4	16	76
GS32-160	3.7	50	32	367	75	350	855.5	760	132	4	16	88
GS32-160	4	50	32	367	75	350	855.5	800	132	4	16	88
GS32-160	5.5	50	32	392	100	400	909	800	132	4	19	102
GS32-160	7.5	50	32	392	100	400	909	800	132	4	19	108
GS32-200	5.5	50	32	440	100	400	909	800	160	4	19	115
GS32-200	7.5	50	32	440	100	400	909	800	160	4	19	120
GS32-200	11	50	32	440	100	440	1051	915	160	4	19	166
GS32-200	15	50	32	440	100	440	1051	915	160	4	19	183
GS32-250	7.5	50	32	505	100	440	929	800	180	4	19	128
GS32-250	11	50	32	505	100	440	1071	925	180	4	19	174
GS32-250	15	50	32	505	100	440	1071	925	180	4	19	191
GS32-250	18.5	50	32	505	100	470	1115	1033	180	4	19	209

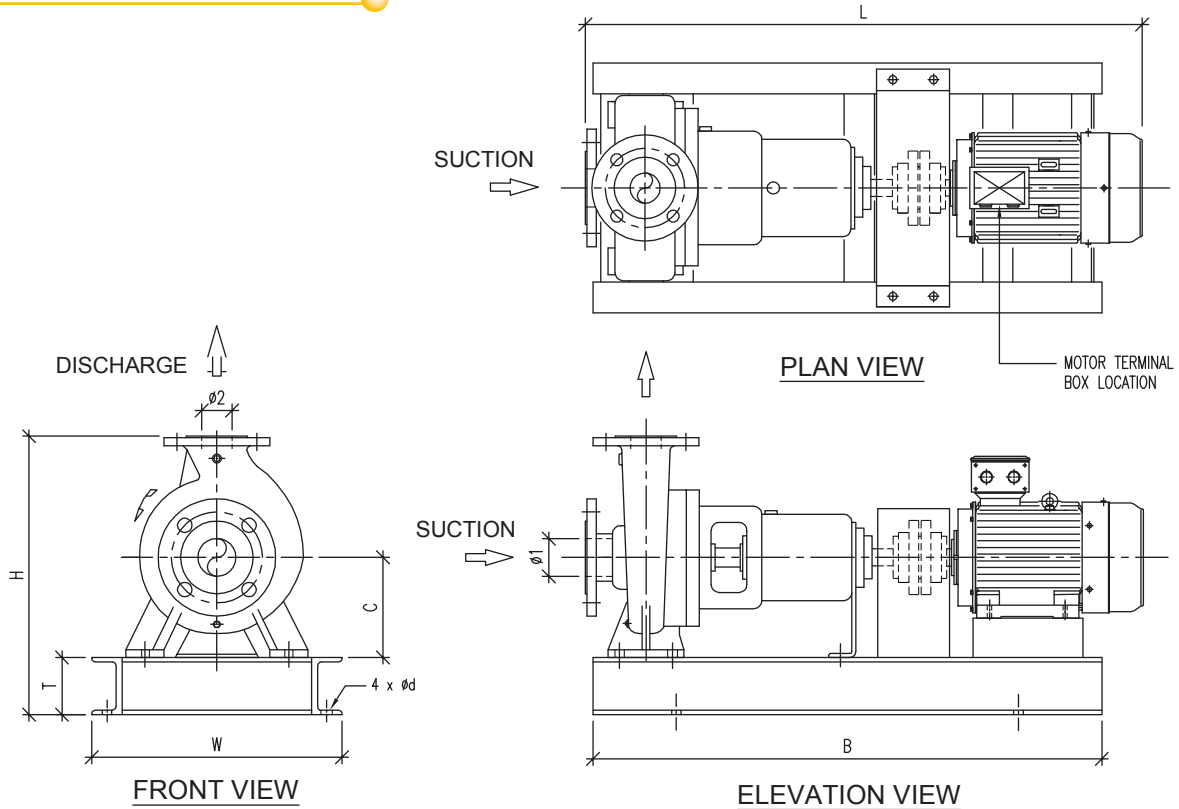
## DIMENSIONS - 2 POLE

Model	Motor	Size (mm)		Dimension (mm)						Base		Weight (kg)
	Kw	Φ1	Φ2	H	T	W	L	B	C	n	Φd	Total
GS40-125	1.5	65	40	327	75	350	757.5	700	112	4	16	61
GS40-125	2.2	65	40	327	75	350	782.5	737	112	4	16	75
GS40-125	3	65	40	327	75	350	805	747	112	4	16	78
GS40-125	4	65	40	327	75	350	825.5	760	112	4	16	89
GS40-125	5.5	65	40	352	100	400	879	800	112	4	19	105
GS40-160	4	65	40	367	75	400	825.5	760	132	4	16	90
GS40-160	5.5	65	40	392	100	430	879	800	132	4	19	106
GS40-160	7.5	65	40	392	100	430	879	800	132	4	19	110
GS40-160	11	65	40	392	100	430	1021	915	132	4	19	156
GS40-200	7.5	65	40	440	100	430	879	800	160	4	19	122
GS40-200	11	65	40	440	100	430	1021	915	160	4	19	168
GS40-200	15	65	40	440	100	430	1021	915	160	4	19	185
GS40-200	18.5	65	40	440	100	430	1065	960	160	4	19	202
GS40-250	11	65	40	505	100	430	1033.5	927	180	4	19	176
GS40-250	15	65	40	505	100	430	1033.5	927	180	4	19	193
GS40-250	18.5	65	40	505	100	430	1077.5	970	180	4	19	210
GS40-250	22	65	40	505	100	470	1097.5	970	180	4	19	256
GS40-250	30	65	40	505	100	510	1195.5	1055	180	4	19	331
GS40-315	22	65	40	575	100	470	1207.5	1085	225	4	19	296
GS40-315	30	65	40	575	100	510	1305.5	1165	225	4	19	370
GS40-315	37	65	40	600	125	530	1305.5	1165	225	6	19	405
GS40-315	45	65	40	600	125	600	1346.5	1190	225	6	19	457
GS40-315	55	65	40	600	125	640	1456.5	1280	225	6	19	560
GS40-315	75	65	40	600	150	740	1573	1320	225	6	25	687
GS50-125	2.2	65	50	367	75	350	832.5	737	132	4	16	69
GS50-125	3	65	50	367	75	350	855	750	132	4	16	81
GS50-125	3.7	65	50	367	75	350	875.5	710	132	4	16	93
GS50-125	4	65	50	367	75	350	875.5	760	132	4	16	93
GS50-125	5.5	65	50	392	100	400	929	800	132	4	19	108
GS50-125	7.5	65	50	392	100	400	929	800	132	4	19	113
GS50-125	11	65	50	392	100	430	1071	915	132	4	19	159
GS50-160	5.5	65	50	440	100	400	929	800	160	4	19	69
GS50-160	7.5	65	50	440	100	400	929	800	160	4	19	113
GS50-160	11	65	50	440	100	430	1071	915	160	4	19	159
GS50-160	15	65	50	440	100	430	1071	915	160	4	19	176
GS50-200	11	65	50	460	100	430	1071	915	160	4	19	171
GS50-200	15	65	50	460	100	430	1071	915	160	4	19	189
GS50-200	18.5	65	50	460	100	430	1115	960	160	4	19	206
GS50-200	22	65	50	460	100	470	1135	960	160	4	19	252
GS50-200	30	65	50	460	100	510	1233	1040	160	4	19	327
GS50-250	22	65	50	505	100	470	1135	925	180	4	19	259
GS50-250	30	65	50	505	100	510	1233	1055	180	4	19	334
GS50-250	37	65	50	530	125	530	1233	1055	180	6	22	368
GS50-250	45	65	50	530	125	600	1274	1080	180	6	22	420
GS50-315	30	65	50	605	100	510	1360	1165	225	4	19	375
GS50-315	37	65	50	630	125	530	1368	1165	225	6	22	409
GS50-315	45	65	50	630	125	600	1409	1190	225	6	22	461
GS50-315	55	65	50	630	125	640	1519	1280	225	6	22	565
GS50-315	75	65	50	655	150	740	1635.5	1320	225	6	25	691
GS50-315	90	65	50	655	150	740	1685.5	1370	225	6	25	734
GS65-125	4	80	65	415	75	400	875.5	770	160	4	16	97
GS65-125	5.5	80	65	440	100	430	929	800	160	4	19	113
GS65-125	7.5	80	65	440	100	430	929	800	160	4	19	117
GS65-125	11	80	65	440	100	430	1071	925	160	4	19	163
GS65-160	7.5	80	65	460	100	430	929	800	160	4	19	122
GS65-160	11	80	65	460	100	430	1071	925	160	4	19	168
GS65-160	15	80	65	460	100	430	1071	925	160	4	19	185
GS65-160	18.5	80	65	460	100	430	1115	970	160	4	19	202
GS65-160	22	80	65	460	100	470	1135	970	160	4	19	248
GS65-200	11	80	65	505	100	470	1071	925	180	4	19	175
GS65-200	15	80	65	505	100	470	1071	925	180	4	19	192
GS65-200	18.5	80	65	505	100	470	1115	970	180	4	19	209
GS65-200	22	80	65	505	100	470	1135	970	180	4	19	255
GS65-200	30	80	65	505	100	510	1233	1055	180	4	19	330
GS65-200	37	80	65	530	125	530	1233	1055	180	6	22	365
GS65-250	22	80	65	550	100	510	1245	1100	200	4	22	285
GS65-250	30	80	65	550	100	510	1343	1180	200	4	22	360
GS65-250	37	80	65	575	125	530	1343	1180	200	6	22	394
GS65-250	45	80	65	575	125	600	1384	1205	200	6	22	446
GS65-250	55	80	65	575	125	640	1494	1300	200	6	22	550
GS65-250	75	80	65	600	150	740	1610.5	1340	200	6	25	676
GS65-315	55	80	65	630	125	640	1519	1300	225	6	22	570
GS65-315	75	80	65	655	150	740	1635.5	1340	225	6	25	670
GS65-315	90	80	65	655	150	740	1685.5	1390	225	6	25	738

## DIMENSIONS - 2 POLE

Model	Motor	Size (mm)		Dimension (mm)						Base		Weight (kg)
	Kw	Φ1	Φ2	H	T	W	L	B	C	n	Φd	Total
GS80-160	11	100	80	505	100	450	1096	925	180	4	19	174
GS80-160	15	100	80	505	100	450	1096	925	180	4	19	191
GS80-160	18.5	100	80	505	100	450	1140	970	180	4	19	208
GS80-160	22	100	80	505	100	470	1160	970	180	4	19	254
GS80-160	30	100	80	505	100	510	1258	1055	180	4	19	329
GS80-200	22	100	80	530	100	470	1270	1085	180	4	19	278
GS80-200	30	100	80	530	100	510	1368	1160	180	4	19	353
GS80-200	37	100	80	555	125	530	1368	1160	180	6	22	388
GS80-200	45	100	80	555	125	600	1409	1190	180	6	22	439
GS80-200	55	100	80	555	125	640	1519	1280	180	6	22	543
GS80-200	75	100	80	580	150	740	1635.5	1320	180	6	25	669
GS80-250	45	100	80	605	125	600	1409	1205	200	6	22	451
GS80-250	55	100	80	605	125	640	1519	1300	200	6	22	554
GS80-250	75	100	80	630	150	740	1635.5	1340	200	6	25	681
GS80-250	90	100	80	630	150	740	1685.5	1390	200	6	25	723
GS80-315L	90	100	80	715	150	740	1745.5	1450	250	6	25	764
GS100-160	15	125	100	550	100	490	1206	1050	200	4	19	243
GS100-160	18.5	125	100	550	100	490	1250	1050	200	4	19	260
GS100-160	22	125	100	550	100	490	1270	1100	200	4	19	306
GS100-160	30	125	100	550	100	510	1368	1180	200	4	19	381
GS100-160	37	125	100	575	125	530	1368	1180	200	6	22	415
GS100-200	22	125	100	580	100	490	1270	1100	200	4	19	320
GS100-200	30	125	100	580	100	510	1368	1180	200	4	19	394
GS100-200	37	125	100	605	125	530	1368	1180	200	6	22	429
GS100-200	45	125	100	605	125	590	1409	1205	200	6	22	481
GS100-200	55	125	100	605	125	640	1519	1300	200	6	22	584
GS100-200	75	125	100	630	150	720	1635.5	1340	200	6	25	711
GS100-250	37	125	100	630	125	560	1383	1180	225	6	22	435
GS100-250	45	125	100	630	125	600	1424	1205	225	6	22	486
GS100-250	55	125	100	630	125	640	1534	1300	225	4	22	590
GS100-250	75	125	100	655	150	740	1650.5	1340	225	6	25	716
GS100-250	90	125	100	655	150	740	1700.5	1390	225	6	25	759
GS100-315L	75	125	100	715	150	740	1710.5	1400	250	6	22	746
GS100-315L	90	125	100	715	150	740	1760.5	1450	250	6	22	789
GS125-200	45	150	125	690	125	590	1424	1205	250	6	22	500
GS125-200	55	150	125	690	125	640	1534	1300	250	6	22	604
GS125-200	75	150	125	715	150	740	1650.5	1340	250	6	25	730
GS125-200	90	150	125	715	150	740	1700.5	1390	250	6	25	773
GS125-250L	75	150	125	755	150	740	1710.5	1400	250	6	25	762
GS125-250L	90	150	125	755	150	740	1760.5	1450	250	6	25	805
GS150-200	37	200	150	760	125	660	1403	1200	280	6	22	488
GS150-200	45	200	150	760	125	660	1444	1225	280	6	22	540
GS150-200	55	200	150	760	125	660	1554	1320	280	6	22	643
GS150-200	75	200	150	785	150	740	1670.5	1360	280	6	25	769
GS150-200	90	200	150	785	150	740	1720.5	1410	280	6	25	812

## DIMENSIONS - 4 POLE



Model	Motor	Size (mm)		Dimension (mm)						Base		Weight (kg)
	Kw	$\Phi 1$	$\Phi 2$	H	T	W	L	B	C	n	$\Phi d$	Total
GS32-125.1	0.55	50	32	327	75	330	736	672	112	4	16	50
GS32-160.1	0.55	50	32	367	75	330	736	672	132	4	16	50
GS32-160.1	0.75	50	32	367	75	330	736	672	132	4	16	51.5
GS32-200.1	0.55	50	32	415	75	380	736	672	160	4	16	62
GS32-200.1	0.75	50	32	415	75	380	736	672	160	4	16	63.8
GS32-200.1	1.1	50	32	415	75	380	787.5	700	160	4	16	70.2
GS32-125	0.55	50	32	327	75	330	736	672	112	4	16	50
GS32-160	0.55	50	32	367	75	330	736	672	132	4	16	50
GS32-160	0.75	50	32	367	75	330	736	672	132	4	16	51.5
GS32-160	1.1	50	32	367	75	330	787.5	700	132	4	16	58.7
GS32-200	0.75	50	32	415	75	380	736	672	160	4	16	63.8
GS32-200	1.1	50	32	415	75	380	787.5	700	160	4	16	70.2
GS32-200	1.5	50	32	415	75	380	812.5	725	160	4	16	72.5
GS32-200	2.2	50	32	415	75	380	835	750	160	4	16	81.6
GS32-250	0.75	50	32	480	75	440	756	684	180	4	16	72
GS32-250	1.1	50	32	480	75	440	807.5	712	180	4	16	78.2
GS32-250	1.5	50	32	480	75	440	832.5	737	180	4	16	80.5
GS32-250	2.2	50	32	480	75	440	855	763	180	4	16	81.6
GS32-250	3	50	32	480	75	440	855	763	180	4	16	88
GS40-125	0.55	65	40	327	75	350	736	672	112	4	16	51.8
GS40-125	0.75	65	40	327	75	350	736	672	112	4	16	53.5
GS40-160	0.55	65	40	367	75	380	736	672	132	4	16	53
GS40-160	0.75	65	40	367	75	380	736	672	132	4	16	54.5
GS40-160	1.1	65	40	367	75	380	788	700	132	4	16	61
GS40-160	1.5	65	40	367	75	380	813	725	132	4	16	63.3
GS40-200	1.1	65	40	415	75	400	807.5	700	160	4	16	72.3
GS40-200	1.5	65	40	415	75	400	832.5	725	160	4	16	75
GS40-200	2.2	65	40	415	75	400	855	747	160	4	16	84
GS40-200	3	65	40	415	75	400	855	747	160	4	16	90.5
GS40-250	1.5	65	40	480	75	430	807.5	712	180	4	16	82.8
GS40-250	2.2	65	40	480	75	430	855	760	180	4	16	92.5
GS40-250	3	65	40	480	75	430	855	760	180	4	16	98.5
GS40-250	3.7	65	40	480	75	430	875.5	770	180	4	16	106.5
GS40-250	4	65	40	480	75	430	875.5	770	180	4	16	109.8
GS40-315	2.2	65	40	550	75	470	990	870	225	4	16	131
GS40-315	3	65	40	550	75	470	990	870	225	4	16	137.5
GS40-315	3.7	65	40	550	75	470	1010.5	880	225	4	16	145.5
GS40-315	4	65	40	550	75	470	1010.5	880	225	4	16	148.9
GS40-315	5.5	65	40	575	100	470	1064	920	225	4	19	170
GS40-315	7.5	65	40	575	100	470	1102	960	225	4	19	184
GS40-315	11	65	40	575	100	470	1206	1040	225	4	19	215

## DIMENSIONS - 4 POLE

Model	Motor	Size (mm)		Dimension (mm)						Base		Weight (kg)
	Kw	Φ1	Φ2	H	T	W	L	B	C	n	Φd	Total
GS50-125	0.55	65	50	367	75	350	756	672	132	4	16	55
GS50-125	0.75	65	50	367	75	350	756	672	132	4	16	56
GS50-125	1.1	65	50	367	75	350	807.5	700	132	4	16	63
GS50-160	0.55	65	50	415	75	400	756	672	160	4	16	55
GS50-160	0.75	65	50	415	75	400	756	672	160	4	16	56
GS50-160	1.1	65	50	415	75	400	807.5	700	160	4	16	63
GS50-160	1.5	65	50	415	75	400	832.5	730	160	4	16	65
GS50-160	2.2	65	50	415	75	400	855	750	160	4	16	75
GS50-200	1.1	65	50	435	75	400	807.5	700	160	4	16	76
GS50-200	1.5	65	50	435	75	400	832.5	725	160	4	16	78
GS50-200	2.2	65	50	435	75	400	855	745	160	4	16	87
GS50-200	3	65	50	435	75	400	855	745	160	4	16	93
GS50-200	3.7	65	50	435	75	400	875.5	760	160	4	16	101
GS50-200	4	65	50	435	75	400	875.5	760	160	4	16	105
GS50-250	2.2	65	50	480	75	430	855	760	180	4	16	94
GS50-250	3	65	50	480	75	430	855	760	180	4	16	100
GS50-250	3.7	65	50	480	75	430	875.5	770	180	4	16	108
GS50-250	4	65	50	480	75	430	875.5	770	180	4	16	112
GS50-250	5.5	65	50	505	100	450	929	810	180	4	19	131
GS50-250	7.5	65	50	505	100	450	929	810	180	4	19	147
GS50-315	4	65	50	580	75	470	1010.5	880	225	4	16	153
GS50-315	5.5	65	50	605	100	470	1064	920	225	4	19	172
GS50-315	7.5	65	50	605	100	470	1102	960	225	4	19	188
GS50-315	11	65	50	605	100	470	1206	1040	225	4	19	219
GS50-315	15	65	50	605	100	470	1250	1080	225	4	19	248
GS65-125	0.55	80	65	415	75	400	756	680	160	4	16	59
GS65-125	0.75	80	65	415	75	400	756	680	160	4	16	61
GS65-125	1.1	80	65	415	75	400	807.5	710	160	4	16	68
GS65-125	1.5	80	65	415	75	400	735	735	160	4	16	70
GS65-160	0.75	80	65	435	75	400	756	680	160	4	16	66
GS65-160	1.1	80	65	435	75	400	807.5	710	160	4	16	72
GS65-160	1.5	80	65	435	75	400	832.5	735	160	4	16	74
GS65-160	2.2	80	65	435	75	400	855	760	160	4	16	75
GS65-160	3	80	65	435	75	400	855	760	160	4	16	90
GS65-200	1.5	80	65	480	75	430	832.5	735	180	4	16	81
GS65-200	2.2	80	65	480	75	430	855	760	180	4	16	90
GS65-200	3	80	65	480	75	430	855	760	180	4	16	95
GS65-200	3.7	80	65	480	75	430	875.5	770	180	4	16	105
GS65-200	4	80	65	480	75	430	875.5	770	180	4	16	108
GS65-200	5.5	80	65	505	100	450	929	810	180	4	19	127
GS65-250	3	80	65	525	75	470	965	888	200	4	16	127
GS65-250	3.7	80	65	525	75	470	985	900	200	4	16	135
GS65-250	4	80	65	525	75	470	985	900	200	4	16	138
GS65-250	5.5	80	65	550	100	470	1039	935	200	4	19	157
GS65-250	7.5	80	65	550	100	470	1077	972	200	4	19	173
GS65-250	11	80	65	550	100	470	1181	1055	200	4	19	204
GS65-315	7.5	80	65	605	100	530	1102	980	225	4	19	193
GS65-315	11	80	65	605	100	530	1206	1055	225	4	19	224
GS65-315	15	80	65	605	100	530	1250	1100	225	4	19	253
GS65-315	18.5	80	65	605	100	530	1270	1100	225	4	19	304
GS80-160	1.1	100	80	480	75	430	832.5	712	180	4	16	78
GS80-160	1.5	100	80	480	75	430	857.5	737	180	4	16	81
GS80-160	2.2	100	80	480	75	430	880	760	180	4	16	90
GS80-160	3	100	80	480	75	430	880	760	180	4	16	96
GS80-160	3.7	100	80	480	75	430	900.5	770	180	4	16	104
GS80-160	4	100	80	480	75	430	900.5	770	180	4	16	108
GS80-200	2.2	100	80	505	75	470	990	870	180	4	16	114
GS80-200	3	100	80	505	75	470	990	870	180	4	16	120
GS80-200	3.7	100	80	505	75	470	1010.5	880	180	4	16	128
GS80-200	4	100	80	505	75	470	1010.5	880	180	4	16	132
GS80-200	5.5	100	80	530	100	470	1064	916	180	4	19	151
GS80-200	7.5	100	80	530	100	470	1102	960	180	4	19	167
GS80-200	11	100	80	530	100	470	1206	1035	180	4	19	198
GS80-250	5.5	100	80	580	100	530	1064	934	200	4	19	203
GS80-250	7.5	100	80	580	100	530	1102	980	200	4	19	178
GS80-250	11	100	80	580	100	530	1206	1053	200	4	19	209
GS80-250	15	100	80	580	100	530	1250	1100	200	4	19	238
GS80-315	11	100	80	665	100	530	1206	1053	250	4	19	237
GS80-315	15	100	80	665	100	530	1250	1100	250	4	19	266
GS80-315	18.5	100	80	665	100	530	1270	1100	250	4	19	317
GS80-315	22	100	80	665	100	530	1308	1140	250	4	19	334
GS80-315	30	100	80	665	100	530	1368	1180	250	4	19	409

## DIMENSIONS - 4 POLE

Model	Motor	Size (mm)		Dimension (mm)						Base		Weight (kg)
	Kw	Φ1	Φ2	H	T	W	L	B	C	n	Φd	Total
GS80-315L	11	100	80	665	100	530	1266	1113	250	4	19	250
GS80-315L	15	100	80	665	100	530	1310	1160	250	4	19	278
GS80-315L	18.5	100	80	665	100	530	1330	1160	250	4	19	330
GS80-315L	22	100	80	665	100	530	1368	1200	250	4	19	347
GS80-315L	30	100	80	665	100	530	1428	1240	250	4	19	392
GS80-400	11	100	80	735	100	570	1266	1113	280	4	19	307
GS80-400	15	100	80	735	100	570	1310	1160	280	4	19	336
GS80-400	18.5	100	80	735	100	570	1330	1160	280	4	19	388
GS80-400	22	100	80	735	100	570	1368	1200	280	4	19	405
GS80-400	30	100	80	735	100	570	1428	1240	280	4	19	480
GS80-400	37	100	80	760	125	570	1474	1270	280	6	22	549
GS80-400	45	100	80	760	125	570	1499	1295	280	6	22	566
GS80-400	55	100	80	760	125	630	1579	1360	280	6	22	704
GS100-160	2.2	125	100	525	75	470	990	887	200	4	16	142
GS100-160	3	125	100	525	75	470	990	887	200	4	16	148
GS100-160	3.7	125	100	525	75	470	1010.5	898	200	4	16	156
GS100-160	4	125	100	525	75	470	1010.5	898	200	4	16	159
GS100-160	5.5	125	100	550	100	490	1064	934	200	4	19	178
GS100-200	4	125	100	555	75	470	1010.4	898	200	4	16	173
GS100-200	5.5	125	100	580	100	490	1064	934	200	4	19	192
GS100-200	7.5	125	100	580	100	490	1102	980	200	4	19	208
GS100-200	11	125	100	580	100	490	1206	1053	200	4	19	239
GS100-250	5.5	125	100	605	100	530	1079	934	225	4	19	198
GS100-250	7.5	125	100	605	100	530	1117	980	225	4	19	214
GS100-250	11	125	100	605	100	530	1221	1053	225	4	19	245
GS100-250	15	125	100	605	100	530	1265	1100	225	4	19	274
GS100-250	18.5	125	100	605	100	530	1285	1100	225	4	19	326
GS100-250L	5.5	125	100	605	100	530	1139	994	225	4	19	212
GS100-250L	7.5	125	100	605	100	530	1177	1040	225	4	19	228
GS100-250L	11	125	100	605	100	530	1281	1113	225	4	19	259
GS100-250L	15	125	100	605	100	530	1325	1158	225	4	19	288
GS100-250L	18.5	125	100	605	100	530	1345	1160	225	4	19	339
GS100-315	7.5	125	100	665	100	530	1117	980	250	4	19	215
GS100-315	11	125	100	665	100	530	221	1053	250	4	19	246
GS100-315	15	125	100	665	100	530	1265	1100	250	4	19	275
GS100-315	18.5	125	100	665	100	530	1285	1100	250	4	19	327
GS100-315	22	125	100	665	100	530	1323	1140	250	4	19	344
GS100-315	30	125	100	665	100	530	1386	1180	250	4	19	419
GS100-315L	7.5	125	100	665	100	530	1177	1040	250	4	19	244
GS100-315L	11	125	100	665	100	530	1281	1113	250	4	19	275
GS100-315L	15	125	100	665	100	530	1325	1158	250	4	19	304
GS100-315L	18.5	125	100	665	100	530	1345	1160	250	4	19	355
GS100-315L	22	125	100	665	100	530	1383	1200	250	4	19	373
GS100-315L	30	125	100	665	100	530	1443	1240	250	4	19	477
GS100-400	15	125	100	735	100	640	1325	1178	280	4	19	367
GS100-400	18.5	125	100	735	100	640	1345	1180	280	4	19	419
GS100-400	22	125	100	735	100	640	1383	1220	280	4	19	436
GS100-400	30	125	100	735	100	640	1443	1260	280	4	19	511
GS100-400	37	125	100	760	125	670	1489	1290	280	4	22	580
GS100-400	45	125	100	760	125	670	1514	1315	280	4	22	597
GS100-400	55	125	100	760	125	670	1594	1378	280	4	22	735
GS125-200	5.5	150	125	665	100	530	1079	934	250	4	19	217
GS125-200	7.5	150	125	665	100	530	1117	980	250	4	19	228
GS125-200	11	150	125	665	100	530	1221	1003	250	4	19	259
GS125-200	15	150	125	665	100	530	1265	1100	250	4	19	289
GS125-250	11	150	125	705	100	530	1221	1053	250	4	19	271
GS125-250	15	150	125	705	100	530	1265	1100	250	4	19	300
GS125-250	18.5	150	125	705	100	530	1285	1100	250	4	19	352
GS125-250	22	150	125	705	100	530	1323	1140	250	4	19	369
GS125-250	30	150	125	705	100	530	1383	1180	250	4	19	444
GS125-250L	11	150	125	705	100	530	1281	1113	250	4	19	291
GS125-250L	15	150	125	705	100	530	1325	1158	250	4	19	320
GS125-250L	18.5	150	125	705	100	530	1345	1160	250	4	19	372
GS125-250L	22	150	125	705	100	530	1383	1200	250	4	19	389
GS125-250L	30	150	125	705	100	530	1443	1240	250	4	19	464
GS125-315	15	150	125	735	100	640	1325	1178	280	4	19	352
GS125-315	18.5	150	125	735	100	640	1345	1180	280	4	19	404
GS125-315	22	150	125	735	100	640	1383	1220	280	4	19	421
GS125-315	30	150	125	735	100	640	1443	1260	280	6	19	496
GS125-315	37	150	125	760	125	670	1489	1290	280	6	22	545
GS125-315	45	150	125	760	125	670	1514	1315	280	6	22	582

## DIMENSIONS - 4 POLE

Model	Motor	Size (mm)		Dimension (mm)						Base		Weight (kg)
	Kw	Φ1	Φ2	H	T	W	L	B	C	n	Φd	Total
GS125-400	22	150	125	815	100	640	1383	1220	315	4	19	469
GS125-400	30	150	125	815	100	640	1443	1260	315	4	19	544
GS125-400	37	150	125	840	125	670	1489	1290	315	6	22	613
GS125-400	45	150	125	840	125	670	1514	1315	315	6	22	630
GS125-400	55	150	125	840	125	670	1594	1378	315	6	22	768
GS125-400	75	150	125	865	150	740	1710.5	1420	315	6	22	902
GS125-500	30	150	125	925	100	640	1623	1400	375	4	19	713
GS125-500	37	150	125	950	125	670	1669	1430	375	6	22	782
GS125-500	45	150	125	950	125	670	1694	1455	375	6	22	799
GS125-500	55	150	125	950	125	670	1774	1518	375	6	22	797
GS125-500	75	150	125	975	150	740	1890.5	1560	375	6	25	1071
GS125-500	90	150	125	975	150	740	1940.5	1610	375	6	25	1137
GS125-500	110	150	125	975	150	800	2099	1760	375	6	25	1140
GS150-200	4	200	150	710	75	610	928	920	280	4	16	232
GS150-200	5.5	200	150	735	100	640	1099	950	280	4	19	251
GS150-200	7.5	200	150	735	100	640	1137	1000	280	4	19	267
GS150-200	11	200	150	735	100	640	1241	1073	280	4	19	298
GS150-200	15	200	150	735	100	640	1285	1120	280	4	19	326
GS150-250	15	200	150	735	100	640	1345	1180	280	4	19	346
GS150-250	18.5	200	150	735	100	640	1365	1180	280	4	19	398
GS150-250	22	200	150	735	100	640	1403	1220	280	4	19	415
GS150-250	30	200	150	735	100	640	1463	1260	280	4	19	490
GS150-250	37	200	150	760	125	660	1509	1290	280	6	22	559
GS150-250	45	200	150	760	125	660	1534	1315	280	6	22	576
GS150-315	18.5	200	150	815	100	680	1365	1180	315	4	19	460
GS150-315	22	200	150	815	100	680	1403	1220	315	4	19	477
GS150-315	30	200	150	815	100	680	1463	1260	315	4	19	552
GS150-315	37	200	150	840	125	710	1509	1290	315	6	22	621
GS150-315	45	200	150	840	125	710	1534	1315	315	6	22	638
GS150-315	55	200	150	840	125	710	1614	1380	315	6	22	776
GS150-315	75	200	150	865	150	740	1730.5	1420	315	6	25	910
GS150-400	37	200	150	890	125	710	1509	1290	315	6	22	752
GS150-400	45	200	150	890	125	710	1534	1315	315	6	22	769
GS150-400	55	200	150	890	125	710	1614	1380	315	6	22	907
GS150-400	75	200	150	915	150	740	1730.5	1420	315	6	25	1041
GS150-400	90	200	150	915	150	740	1780.5	1470	315	6	25	1108
GS150-400L	*	200	150	-	-	-	-	-	-	-	-	-
GS150-500	55	200	150	1060	125	710	1774	1520	375	6	22	1182
GS150-500	75	200	150	1085	150	740	1890.5	1560	375	6	25	1216
GS150-500	90	200	150	1085	150	740	1940.5	1610	375	6	25	1282
GS150-500	110	200	150	1085	150	800	2099	1760	375	6	25	1485
GS150-500	132	200	150	1085	150	800	2149	1810	375	6	25	1600
GS150-500	160	200	150	1085	150	800	2249	1910	375	6	25	1703
GS200-400	75	250	200	1095	150	850	1890.5	1620	385	6	25	1235
GS200-400	90	250	200	1095	150	850	1940.5	1670	385	6	25	1302
GS200-400	110	250	200	1095	150	850	2099	1770	385	6	25	1504
GS200-400	132	250	200	1095	150	850	2149	1870	385	6	25	1619
GS200-400	160	250	200	1095	150	850	2249	1970	385	6	25	1723
GS200-400	200	250	200	1095	150	850	2249	1970	385	6	25	1918
GS200-400	220	250	200	1095	150	850	2498	2175	385	6	25	2367
GS200-500	160	250	200	1215	150	850	2419	2120	435	6	25	1880
GS200-500	200	250	200	1215	150	850	2419	2120	435	6	25	2076
GS200-500	220	250	200	1215	150	900	2668	2325	435	6	25	2526
GS200-500	250	250	200	1245	180	900	2668	2325	435	8	25	2639
GS200-500	315	250	200	1245	180	900	2668	2325	435	8	25	2927
GS200-500	375	250	200	1245	180	900	2858	2515	435	8	25	3433

\* Dimensional details are provided for reference only.

\* All specifications are subject to change without prior notice.



**EBARA Pumps Malaysia Sdn Bhd**  
 6, Jalan TP3, UEP Subang Jaya Industrial Park,  
 47620 Subang Jaya, Selangor, Malaysia.  
 Tel : 03-8023 6622 Fax : 03-8023 9355  
 Email : sales.epm@ebara.com  
 Website : www.ebara.com.my



Authorised dealer: