



**EBARA**

## *Dry-Pit Type Non Clog Pump*

Type DDML

### APPLICATIONS

- Sewage
- Waste Water

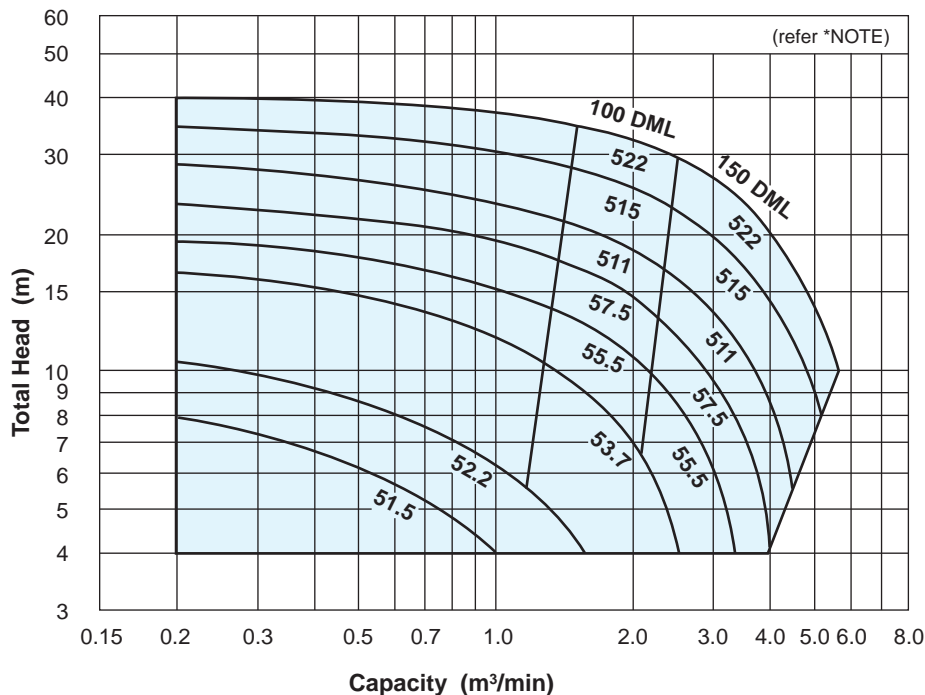
### FEATURES

- Non-clog single channel impeller with 3" free solid passage.
- Pump model range up to 150mm discharge.

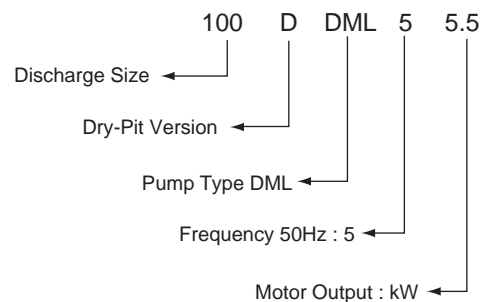


*Ahead Beyond*

## PERFORMANCE CHART



### Model Code



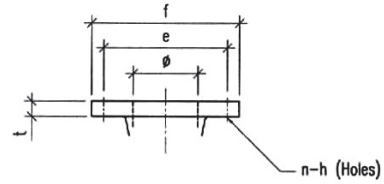
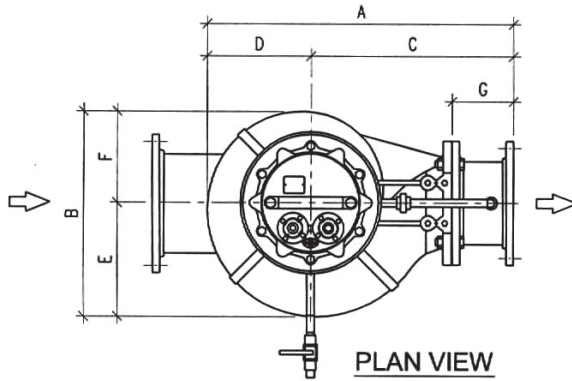
\*Note: Larger range up to 45 kW using DL models available upon request.

## SPECIFICATIONS

Pump			
Liquid Handled	Type of liquid	Sewage, Waste water	
	Temperature	0°C ~ 40°C	
	Max solids size	76mm	
Synchronous Speed		1500min <sup>-1</sup>	
Construction	Mechanical Seal	Double mechanical seal	
	Impeller	Single Channel, non-clog	
	Bearing	Pre-lubricated bearing	
Material	Casing	Cast iron	
	Impeller	Cast iron	
	Shaft	403 Stainless Steel	
	Mechanical Seal	Impeller side	Silicon carbide
		Motor side	Ceramic / Carbon
Cooling Jacket	Mild steel		
Motor			
Insulation	Class F		
Protection	Built-in overload protector (1.5kW - 2.2kW); Built-in temperature detector protection (3.7kW - 22kW)		
Accessories			
Cable	10m		
Accessories	Cooling jacket, suction elbow, discharge connection and pump stand		

## DIMENSION

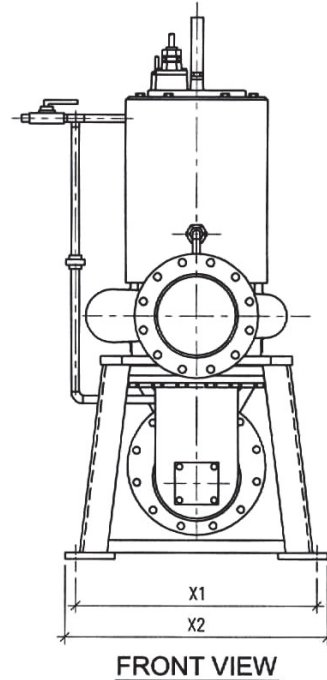
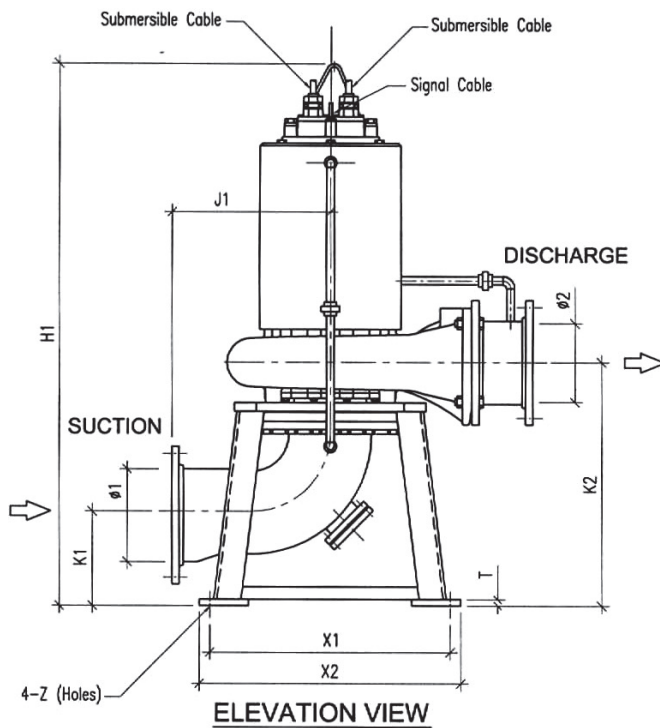
### Applicable Models - 100 DDML



DISCHARGE PIPE FLANGE	$\phi 2$	e	f	t	n	h
	100	175	210	16	8	15

SUCTION PIPE FLANGE	$\phi 1$	e	f	t	n	h
	125	210	250	18	8	19
	150	240	280	18	8	19

\* FLANGE STD : JIS 10K RF

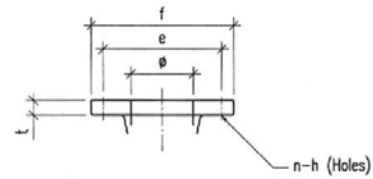
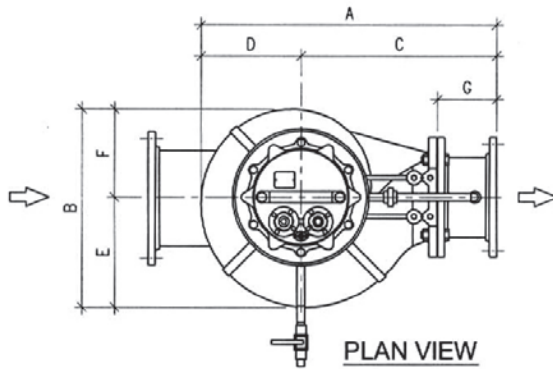


PHASE	Hz	SIZE DA		MODEL	OUTPUT KW	PUMP & MOTOR DIMENSION														APPROX. WEIGHT Kg	
		$\phi 1$	$\phi 2$			A	B	C	D	E	F	G	H1	J1	K1	K2	T	X1	X2		Z
3	50	125	100	100 DDML 51.5	2.2	517	320	360	157	144	176	150	933	210	200	545	9	425	500	20	148
				100 DDML 52.2	2.2	517	320	360	157	144	176	150	933	210	200	545	9	425	500	20	148
				100 DDML 53.7	3.7	517	320	360	157	144	176	150	994	210	200	545	9	425	500	20	159
		150	100	100 DDML 55.5	5.5	593	381	405	188	167	214	150	1079	210	200	545	9	425	500	20	196
				100 DDML 57.5	7.5	593	381	405	188	167	214	150	1079	210	200	545	9	425	500	20	200
				100 DDML 511	11	686	455	465	221	208	247	150	1144	210	200	545	9	425	500	20	242
	150	100	100 DDML 515	15	686	455	465	221	208	247	150	1144	210	200	545	9	425	500	20	248	
			100 DDML 522	22	730	497	485	245	226	271	150	1214	210	200	545	9	425	500	20	311	

Units: mm unless otherwise specified

## DIMENSION

### Applicable Models - 150 DDML



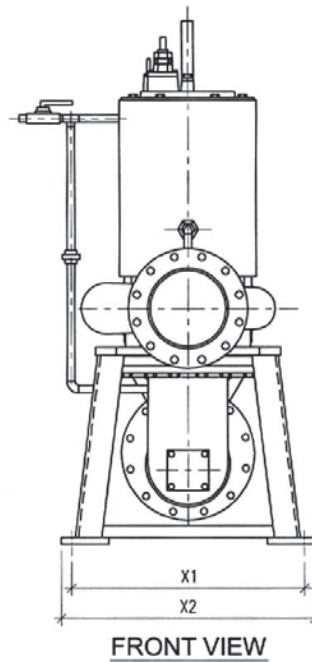
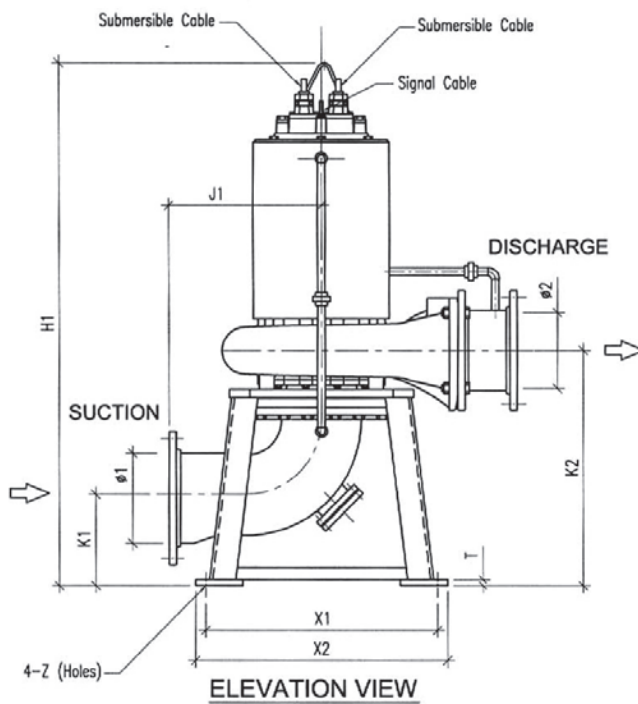
DISCHARGE PIPE FLANGE

ø2	e	f	t	n	h
150	240	280	18	8	19

SUCTION PIPE FLANGE

ø1	e	f	t	n	h
200	290	330	20	12	19

\* FLANGE STD : JIS 10K RF



PHASE	Hz	SIZE DA		MODEL	OUTPUT KW	PUMP & MOTOR DIMENSION														APPROX. WEIGHT Kg	
		ø1	ø2			A	B	C	D	E	F	G	H1	J1	K1	K2	T	X1	X2		Z
3	50	200	150	150 DDML 55.5	5.5	593	381	405	188	167	214	150	1359	370	230	610	9	450	510	20	213
				150 DDML 57.5	7.5	593	381	405	188	167	214	150	1359	370	230	610	9	450	510	20	218
				150 DDML 511	11	686	455	465	221	208	247	150	1320	370	230	610	9	500	560	20	264
				150 DDML 515	15	686	455	465	221	208	247	150	1320	370	230	610	9	500	560	20	270
				150 DDML 522	22	730	497	485	245	226	271	150	1405	370	230	610	9	500	560	20	333

Units: mm unless otherwise specified

\* Dimensional details are provided for reference only.

\* All specifications are subject to change without prior notice.



**EBARA Pumps Malaysia Sdn Bhd**  
 6, Jalan TP3, UEP Subang Jaya Industrial Park,  
 47620 Subang Jaya, Selangor, Malaysia.  
 Tel : 03-8023 6622 Fax : 03-8023 9355  
 Email : sales.epm@ebara.com  
 Website : www.ebara.com.my



Authorised dealer: